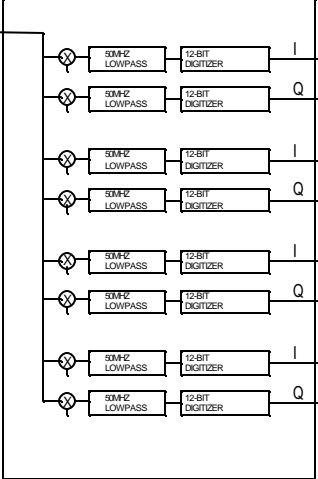
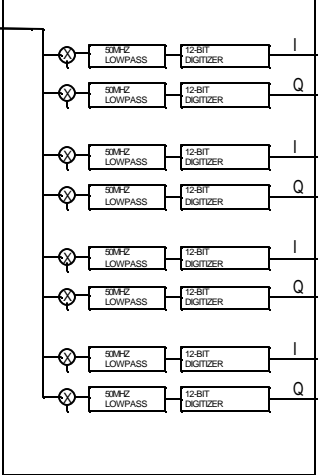


DUAL-POLARIZATION PROCESSOR FOR ONE BEAM

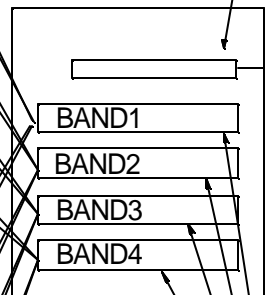
BEAM 1 QUAD DOWNCONVERTER POL A



BEAM 1 QUAD DOWNCONVERTER POL B

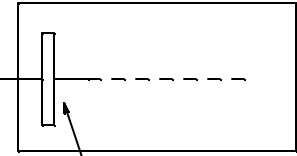


PCI CRATE (NO CPU)



DUAL-FPGA CARDS

OUTPUT MULTIPLEXER



LINUX PC

EDT CARD (INTERFACE)

ALFA SPECTROMETER CONCEPT
BILL SISK 10 NOV. 03