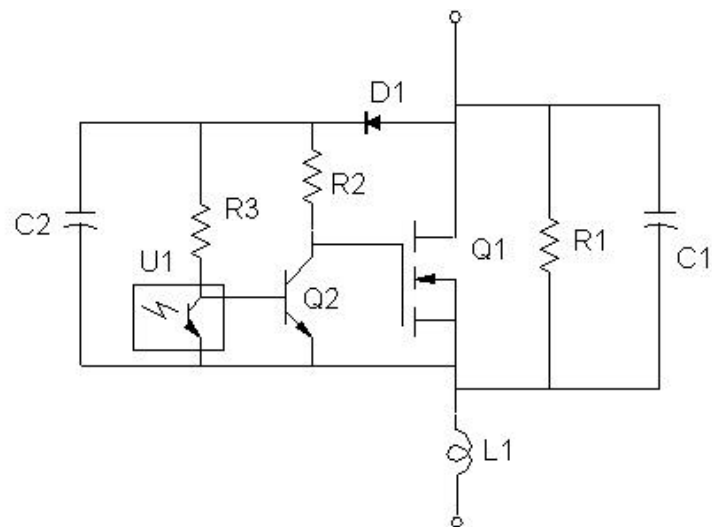


some text



Q1 HIGH POWER FET  
Q2 DRIVER TRANSISTOR  
U1 OPTOCOUPLER  
R2 SUPPLIES DRIVE CURRENT TO Q1  
R3 SUPPLIES DRIVE CURRENT TO Q2

C2 FILTER CAP FOR DRIVER VCC SUPPLY  
D1 VCC SUPPLY RECTIFIER: CHARGES  
C2 BETWEEN PULSES AND DISCONNECTS  
C2 DURING PULSES

R1 HIGH VALUE, BUT LESS THAN LEAKAGE  
RESISTANCE OF Q1. PURPOSE IS TO  
EQUALIZE VOLTAGE ON MODULES  
TO AVOID BREAKDOWN

L1 AND C1 SMALL VALUES: TO MAINTAIN  
EQUAL VOLTAGE DIVISION DURING SWITCHING  
INTERVALS, SINCE FETS WILL VARY IN SWITCHING  
TIME AND DELAY.