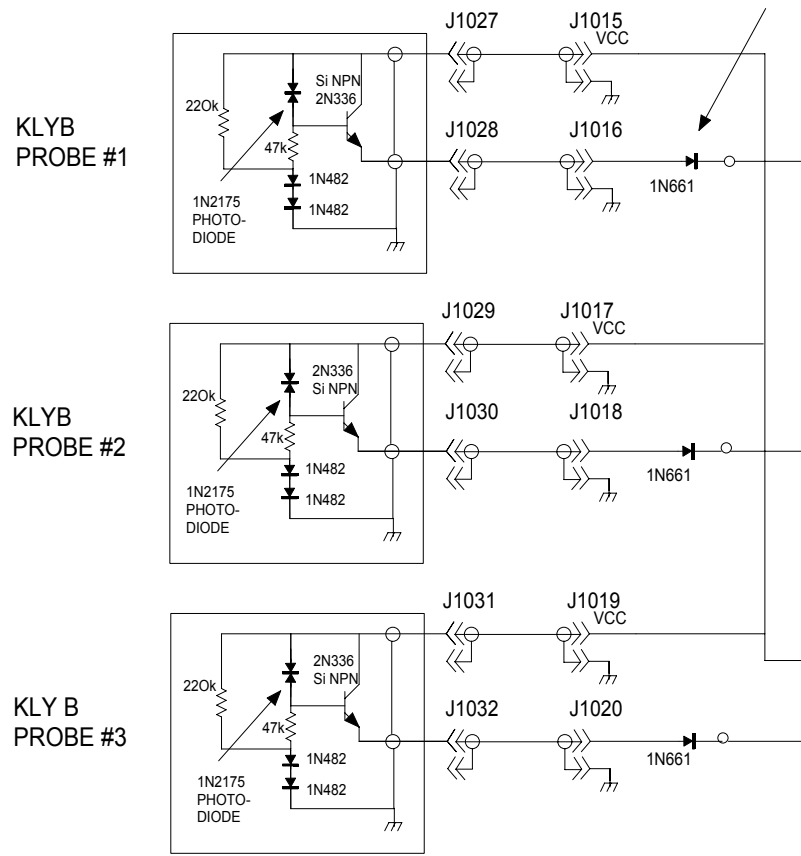
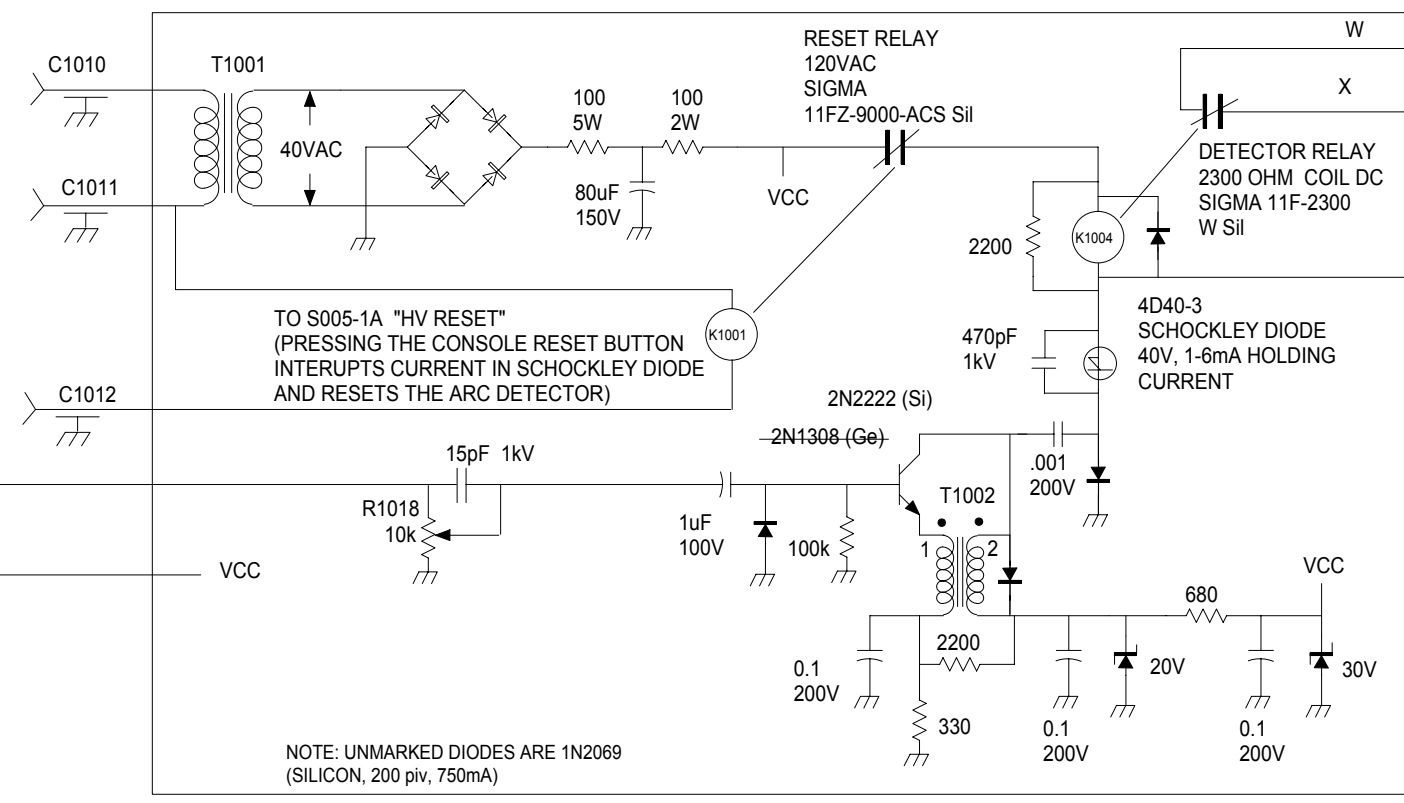


KLYSTRON A ARC DETECTORS

DIODES PROVIDE WIRED "OR" CONNECTION



KLYSTRON B ARC DETECTORS



NOTE: UNMARKED DIODES ARE 1N2069 (SILICON, 200 piv, 750mA)

NOTE: VOLTAGES MEASURED AFTER RESET WHEN UNIT IS 'ARMED' TO DETECT ARC.

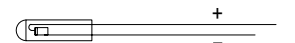
NOTE: UNMARKED DIODES ARE 1N2069 (SILICON, 200 piv, 750mA)

TO HV INTERLOCK CHAIN "KLY A ARC DETECTOR"

NOTE: ALL FEED-THRU CAPACITORS 0.1uF 600V



OFF TRIGGER TO FAST RF SHUT-OFF UNIT

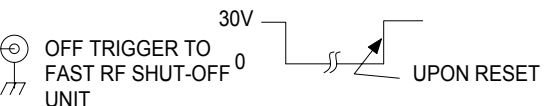


1N2175 (1N2175 specs: page 10-120, Giocoletto, 2nd Ed.)

Max Vreverse +/- 50V

GRIND DOME INTO PEAKED ROOF PRISM

TO HV INTERLOCK CHAIN "KLY B ARC DETECTOR"



OFF TRIGGER TO FAST RF SHUT-OFF UNIT

FROM ORIG. MANUAL: "The response time of the arc detector to a five joule arc at a distance of a foot is about 1 microsecond."

ARC DETECTORS 430 TRANSMITTER

FILE: 430_114 REPLACES DWG. D34C114

jbh feb-5, 2003 rev. 3-24-03 jbh