

Kathrein-Scala vertically polarized panels feature:

- Patented manufacturing techniques with materials selected for long life and reliability in space diversity systems.
- Superior electrical performance, with low VSWR, flat frequency response, and extremely low intermodulation products.
- An extremely low profile design provides minimal visual impact.



Specifications:

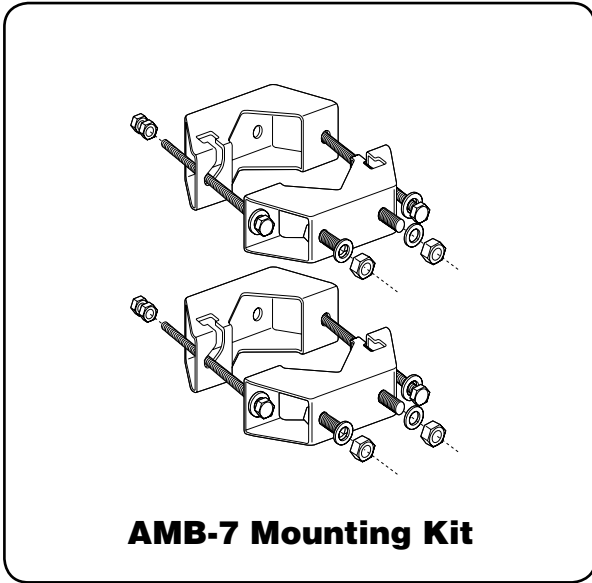
Frequency range	1670–1675 MHz
Gain	19 dBi
Impedance	50 ohms
VSWR	< 1.22:1 (20 dB return loss)
Intermodulation (2x20w)	IM3: -150 dBc
Polarization	Vertical
Front-to-back ratio	>14 dB over 60° sector
Maximum input power	200 watts (at 50°C)
H-plane beamwidth	90 degrees
E-plane beamwidth	4 degrees
Electrical downtilt	2 degrees
Sidelobe suppression first sidelobe above horizon	18 dB
Nullfill 0–15° below horizon for first null	10% (-20 dB)
for remaining nulls	3% (-30 dB)
Connector	7/16 DIN female
Radome material	High strength pulltruded fiberglass
Operating temperature	-55° to +60° C
Weight	20 lb (9.1 kg)
Dimensions	101.9 x 6.1 x 2.25 inches (2588 x 155 x 57 mm)
Equivalent flat plate area	6.04 ft ² (0.561 m ²)
Wind survival rating*	125 mph (200 kph)
Shipping dimensions	116 x 8 x 6 inches (2946 x 203 x 152 mm)
Shipping weight	26 lb (11.8 kg)
Mounting	Fixed and tilt-mount options are available for 2 to 4.6 inch (50 to 115 mm) OD masts. Panel without electrical downtilt can be inverted.

See reverse for order information.

*Mechanical design is based on environmental conditions as stipulated in EIA-222-F (June 1996) and/or ETS 300 019-1-4 which include the static mechanical load imposed on an antenna by wind at maximum velocity. See the Engineering Section of the catalog for further details.

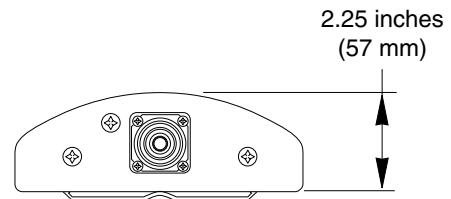
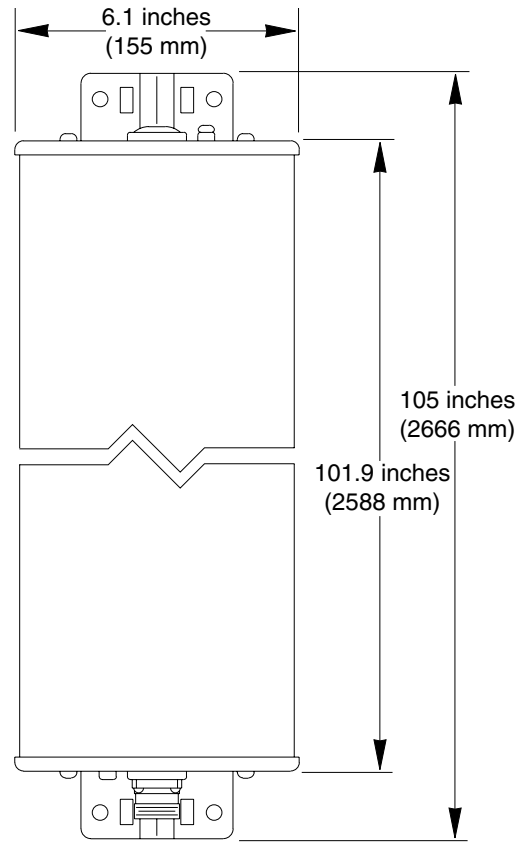


10851-FRO/b



Mounting Options:

Model	Description
AMB-7	Mounting Kit for 2 to 4.6 inch (50 to 115 mm) OD mast.
TB-17	Tilt Mount Kit for use with 101.9 inch (2588 mm) panel antennas 0–7.5 degrees downtilt angle.



All specifications are subject to change without notice