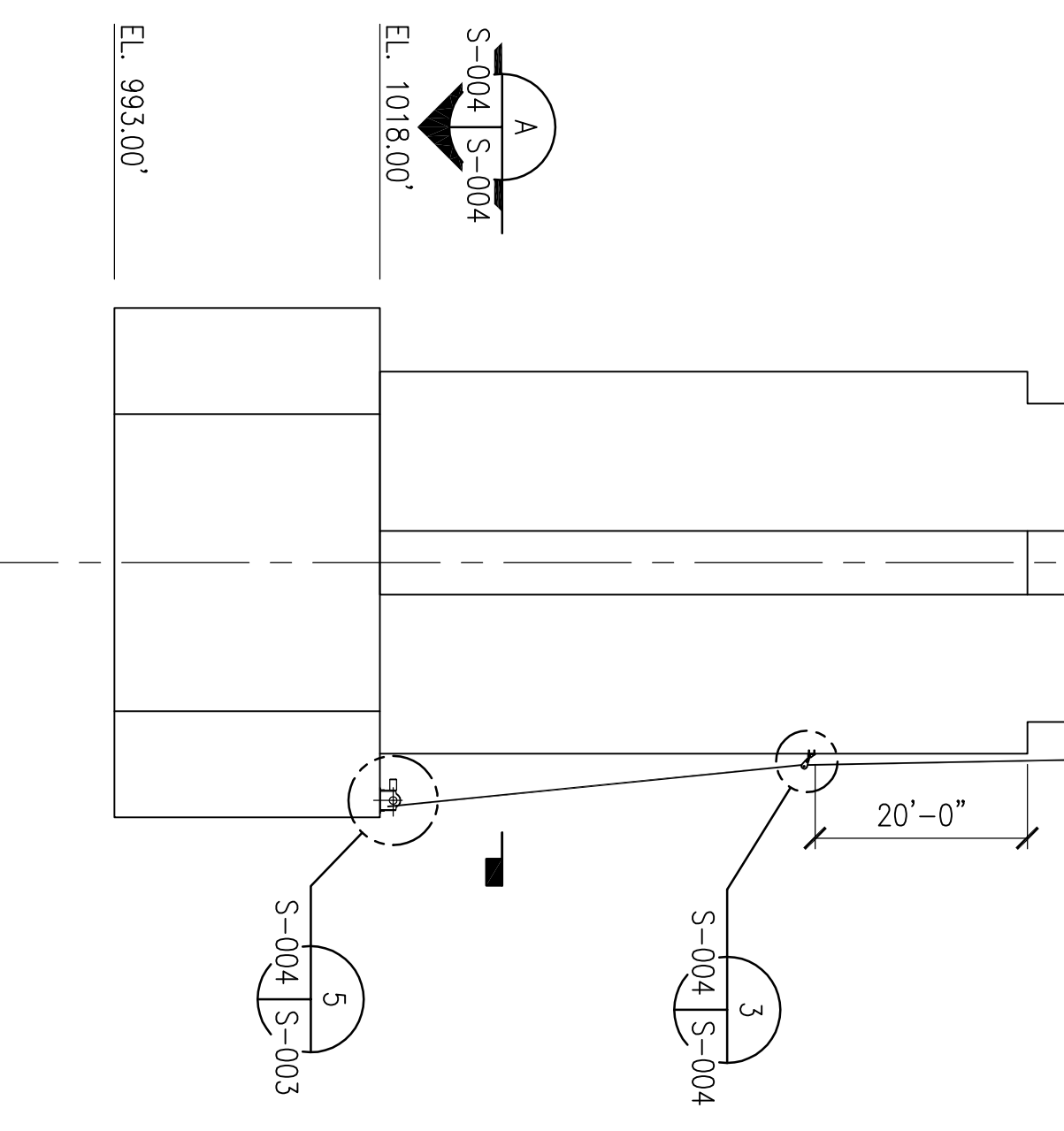
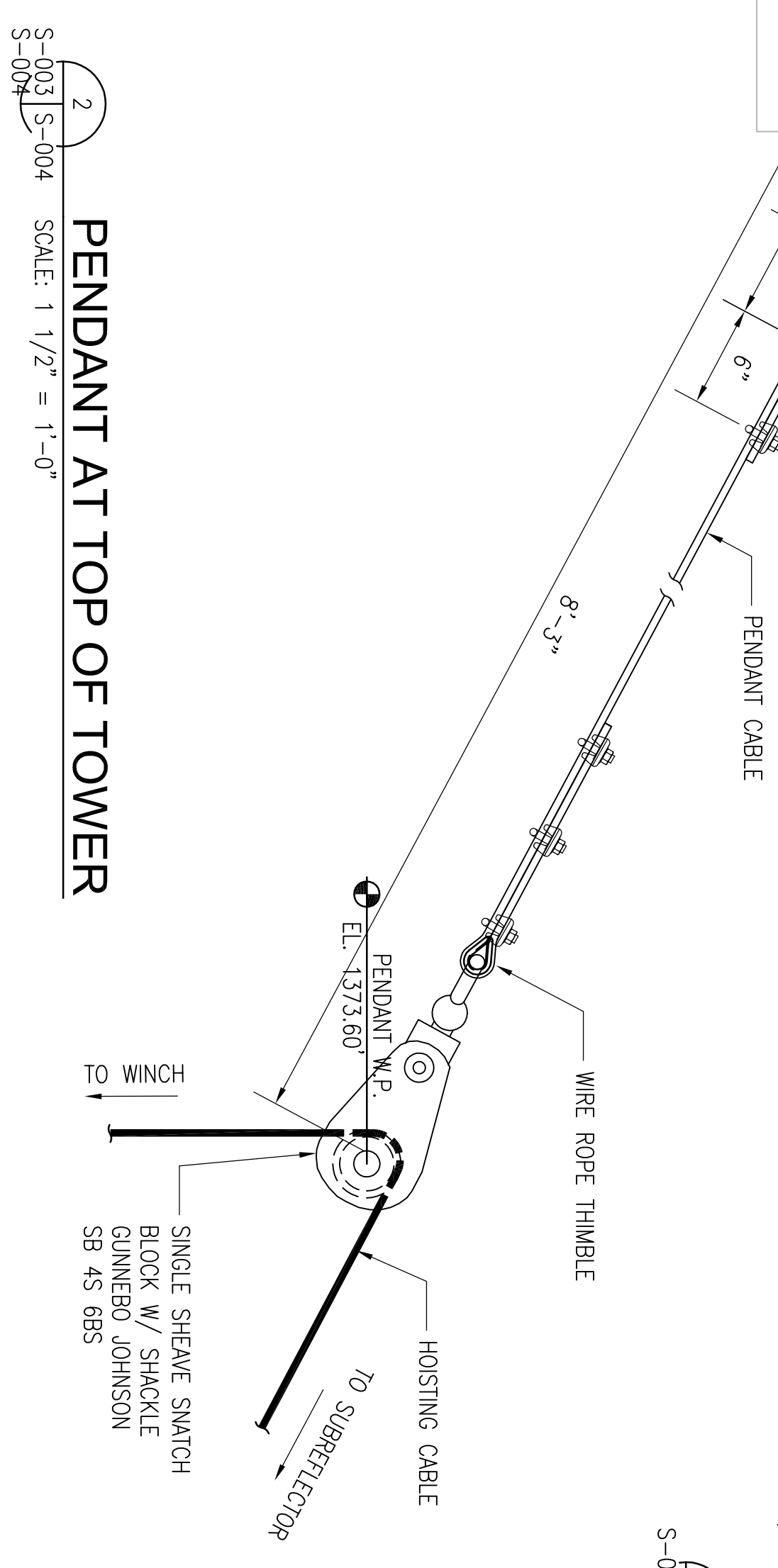
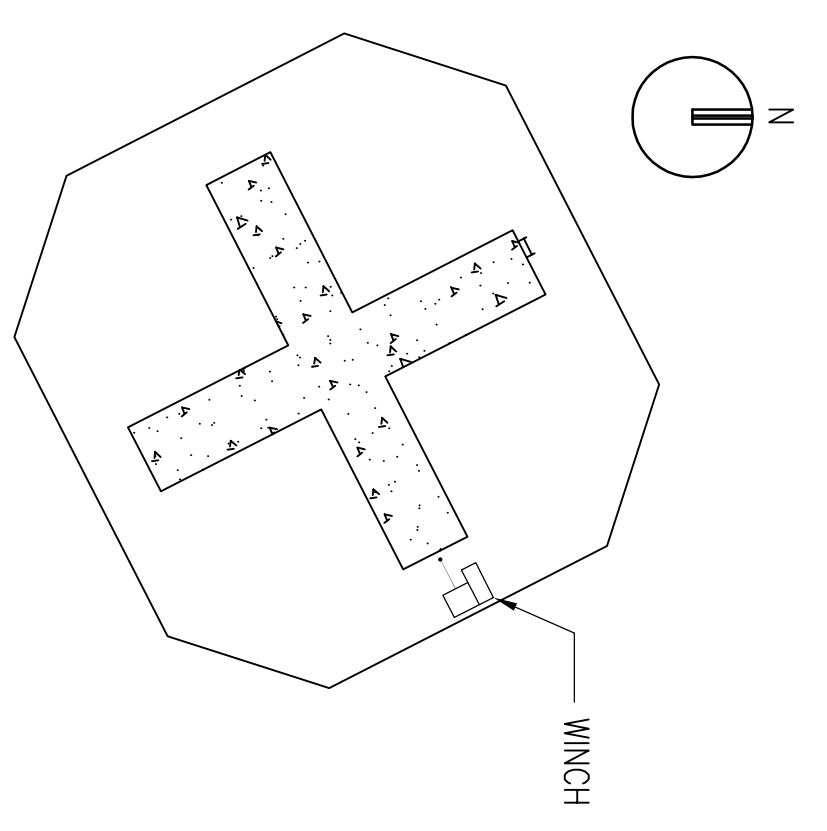


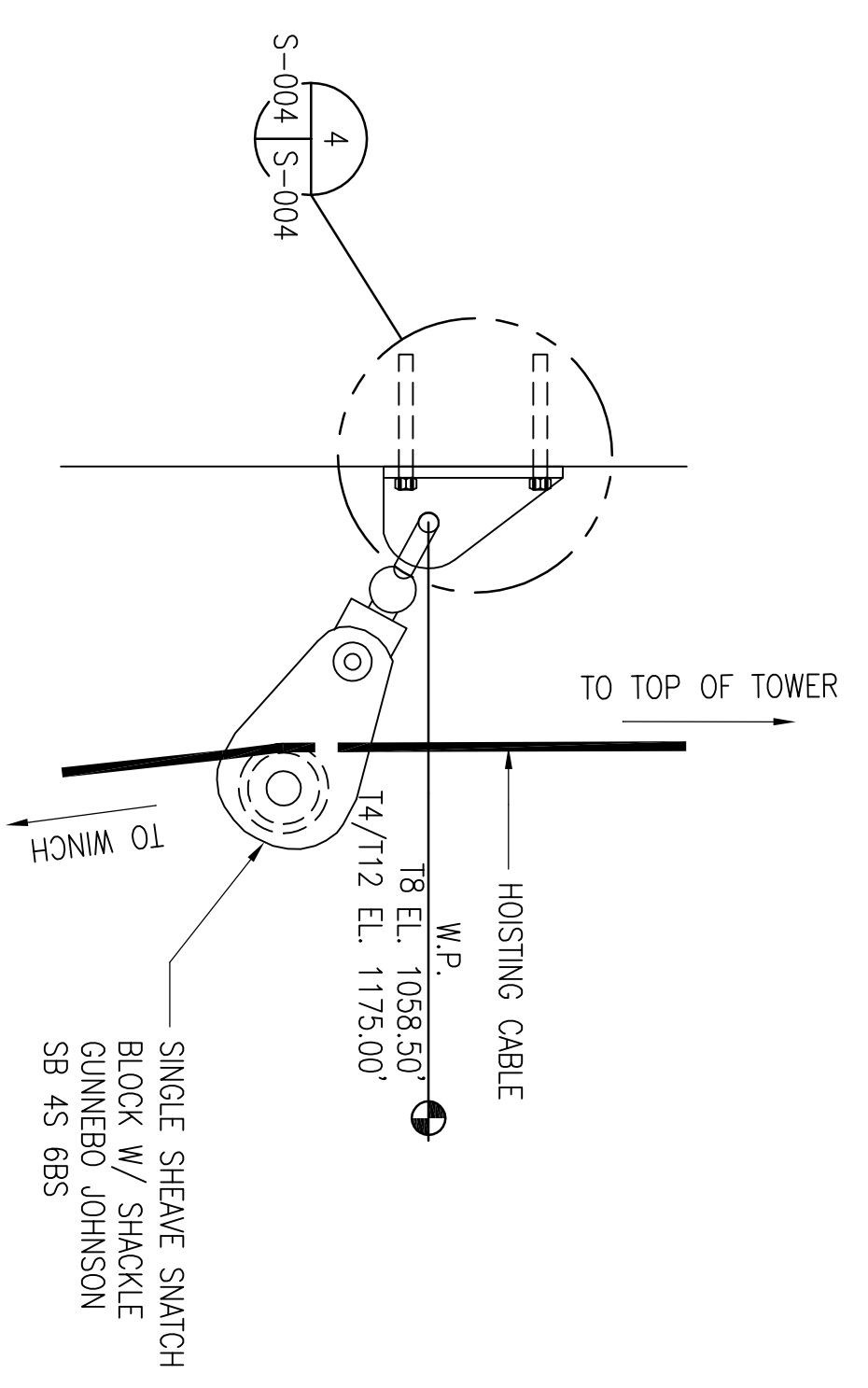
SECTION
S-004 | S-004 SCALE: 3" = 1'-0"



T8 TOWER ELEVATION
S-002 | S-004 SCALE: 1/16" = 1'-0"



T8 TOWER FOOTING
S-004 | S-004 SCALE: 1/16" = 1'-0"



SNATCH BLOCK AT BASE OF TOWER
S-003 | S-004 SCALE: 1 1/2" = 1'-0"

FOR COORDINATION PURPOSES ONLY

NATIONAL ASTRONOMY AND IONOSPHERE CENTER
CORNELL UNIVERSITY
ARCEIBO RADIO OBSERVATORY

T8 TOWER & TYPICAL DETAILS

A M M A N N W H I T N E Y <small>CONSULTING ENGINEERS, NEW YORK, NY</small>	
DRAWN BY: VMA	APPROVED
DESIGNED BY: JPC	DATE: xxxxxxxx
CHECKED BY: JLS	SCALE: AS NOTED
	DWG. NO. S-004