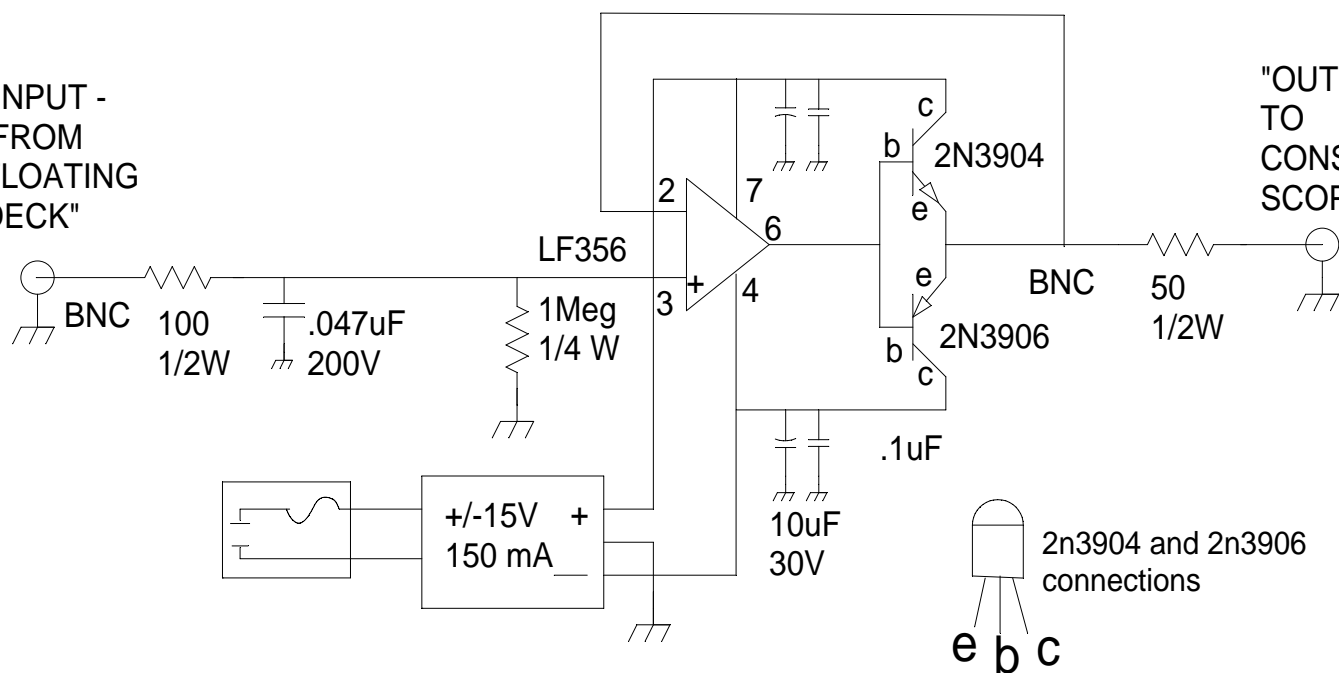


"INPUT -  
FROM  
FLOATING  
DECK"

"OUTPUT -  
TO  
CONSOLE  
SCOPE"



MOD ANODE  
PROBE BUFFER

file: modprob.fch jbh 10-29-03