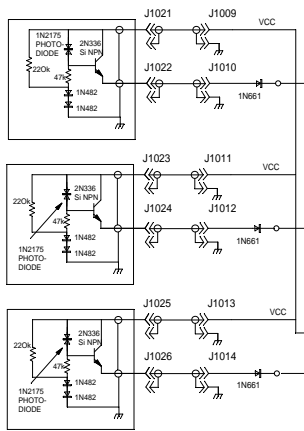
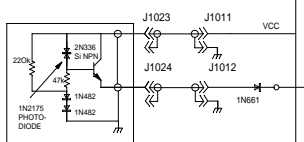


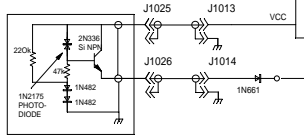
KLY A
PROBE #1



KLY A
PROBE #2



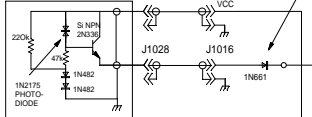
KLY A
PROBE #3



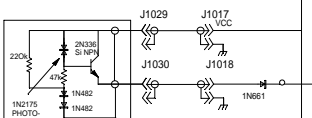
KLYSTRON A ARC DETECTORS

DIODES PROVIDE
WIRED "OR" CONNECTION

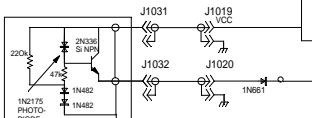
KLYB
PROBE #1



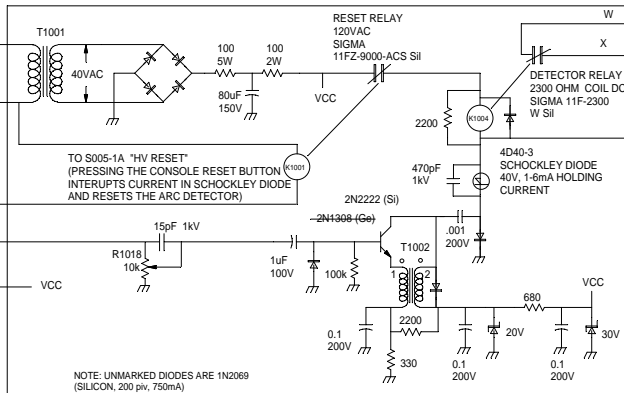
KLYB
PROBE #2



KLY B
PROBE #3



KLYSTRON B ARC DETECTORS

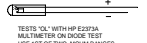


NOTE: ALL FEED-THRU
CAPACITORS 0.1uF 600V

30V
0
UPON RESET

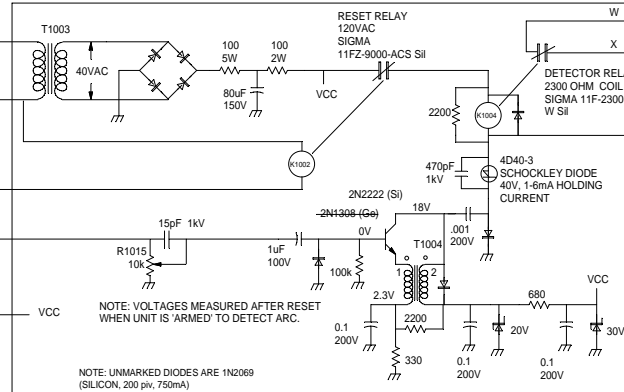
(1N2175 specs: page 10-120,
Giocoletto, 2nd Ed.)

Max Vreerse +/- 50V



1N2175
MULTIMETER ON DIODE TEST
USE 1ST OF TWO BROWN PROBES.
NEED PROBE TO LONGER DIODE LEAD
OFFICE PART NO.: 52W
DARK: 'OL'

GRIND DOME INTO
PEAKED ROOF PRISM



TO HV INTERLOCK CHAIN
'KLY B ARC DETECTOR'

30V
OFF TRIGGER TO
FAST RF SHUT-OFF
UNIT
UPON RESET

FROM ORIG. MANUAL:
"The response time of the arc detector
to a five joule arc at a distance of a foot
is about 1 microsecond."

ARC DETECTORS
430 TRANSMITTER

FILE: 430_114
REPLACES DWG. D34C114

jbh feb 5, 2003 rev. 3-24-03 jbh