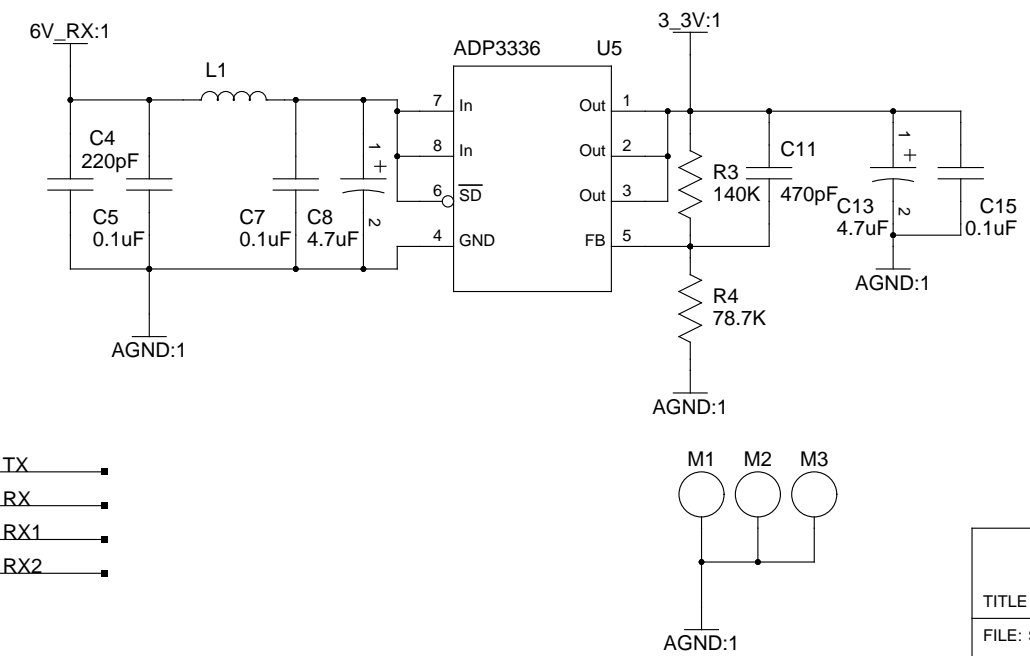


Always On



	B1	A1	B2	A2	
-	-	0	0	0	All Off
io_tx_15	0	1	0	0	TX Only
io_rx_15	0	1	1	0	TX Only
0	0	0	1	1	Full Duplex TX and RX
-	0	0	0	1	RX from secondary RX port
1	0	1	0	1	RX from secondary RX port
1	1	1	0	1	RX from primary TX/RX port
-	1	0	0	1	Nothing
1	-	1	0	0	Nothing
-	-	0	0	1	BAD!
0	-	0	1	1	BAD!
1	-	1	0	1	BAD!
-	-	1	1	0	BAD!
-	0	1	1	0	BAD!
-	1	1	1	1	BAD!
-	-	1	1	1	BAD!

NOTE: any combination with '-'
is not possible with gpio control