

1

Connecting to a Personal Computer

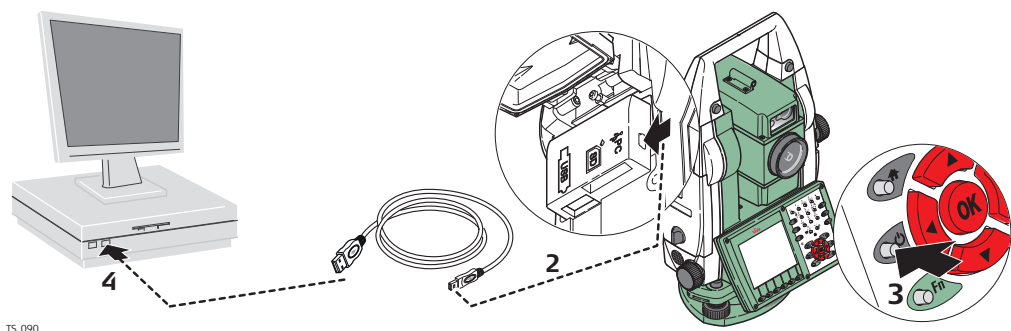


Microsoft ActiveSync (for PCs with Windows XP operating system) or Windows Mobile Device Center (for PCs with Windows Vista or Windows 7/Windows 8 operating system) is the synchronisation software for Windows mobile-based pocket PCs. Microsoft ActiveSync or Windows Mobile Device Center enables a PC and a Windows mobile-based pocket PC to communicate.

Install Leica Viva USB drivers

Step	Description
1.	Start the PC.
2.	Insert the Leica Viva Series USB card.
3.	Run the SetupViva&GR_USB_XX.exe to install the drivers necessary for Leica Viva devices. Depending on the version (32bit or 64bit) of the operating system on your PC, you have to select between the three setup files following: <ul style="list-style-type: none">• SetupViva&GR_USB_32bit.exe• SetupViva&GR_USB_64bit.exe• SetupViva&GR_USB_64bit_itanium.exe The setup has to be run only once for all Leica Viva devices.
4.	The Welcome to InstallShield Wizard for Leica Viva & GR USB drivers window appears. Ensure that all Leica Viva devices are disconnected from your PC before you continue!
5.	Next> .
6.	The Ready to Install the Program window appears.
7.	Install. The drivers will be installed on your PC. For PCs with Windows Vista or Windows 7/Windows 8 operating system: If not already installed, Windows Mobile Device Center will be installed additionally.
8.	The InstallShield Wizard Completed window appears.
9.	Check I have read the instructions and click Finish to exit the wizard.

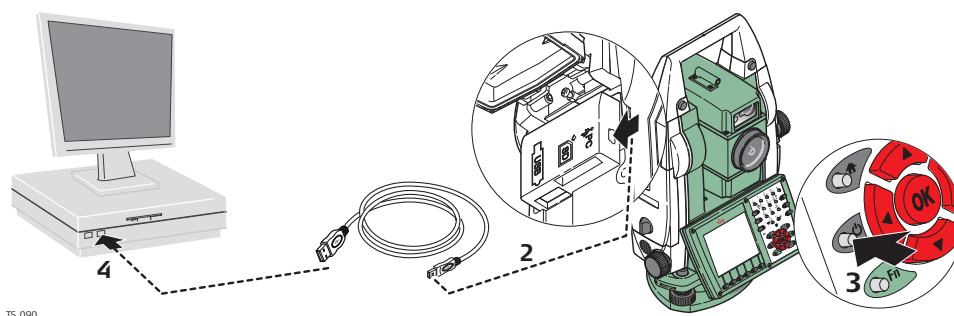
Connect USB cable to computer for the first time step-by-step



Step	Description
1.	Start the computer.
2.	Plug the GEV223 cable into TPS instrument.
3.	Turn on the TPS instrument.
4.	Plug the GEV223 cable into the USB port of the computer. The Found New Hardware Wizard starts up automatically.
5.	Check Yes, this time only. Next> .

Step	Description
6.	Check Install the software automatically (Recommended). Next> . The software for Remote NDIS based LGS TS Device will be installed on your computer
7.	Finish.
8.	The Found New Hardware Wizard starts up automatically a second time.
9.	Check Yes, this time only. Next> .
10.	Check Install the software automatically (Recommended). Next> . The software for LGS TS USB Device will be installed on your computer.
11.	Finish.
	For PCs with Windows XP operating system:
12.	Run the ActiveSync installation program if not already installed.
13.	Allow USB connections inside the Connection Settings window of ActiveSync.
	For PCs with Windows Vista or Windows 7/Windows 8 operating system:
14.	Windows Mobile Device Center starts up automatically. If does not start automatically, start Windows Mobile Device Center.

Connect to computer via USB cable step-by-step



TS.090

Step	Description
1.	Start the PC.
2.	Plug the GEV223 cable into TS instrument.
3.	Turn on the TS instrument.
4.	Plug the GEV223 cable into the USB port of the computer.
	For PCs with Windows XP operating system:
	ActiveSync starts up automatically. If does not start automatically, start ActiveSync. If not already installed, run the ActiveSync installation program.
5.	Allow USB connections inside the Connection Settings window of ActiveSync.
6.	Click Explore in ActiveSync.
	The folders on the TS instrument are displayed under Mobile Devices . The folders of the data storage device can be found in either of the following folders:
	<ul style="list-style-type: none"> • Leica Geosystems\SmartWorx Viva • SD Card • USB memory device
	For PCs with Windows Vista or Windows 7/Windows 8 operating system:
	Windows Mobile Device Center starts up automatically. If does not start automatically, start Windows Mobile Device Center.