

Leica GEB371

User Manual



Version 1.0

- when it has to be **right**

Leica
Geosystems

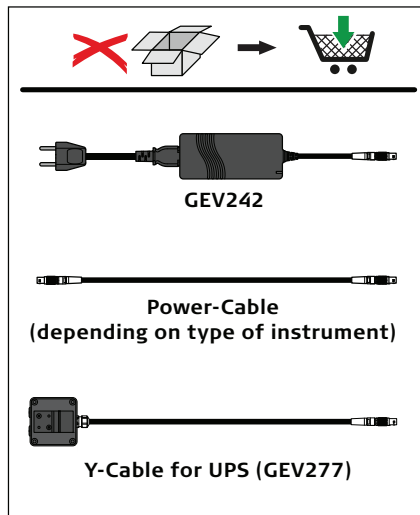
Introduction



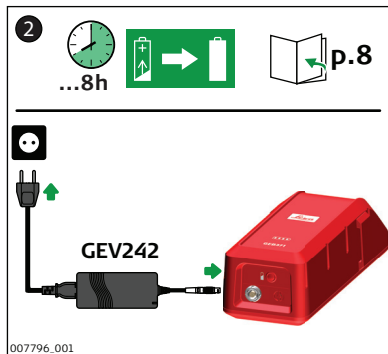
Read and follow the User Manual of the main product before using the product or the accessories delivered with the product.

1 Description of the System

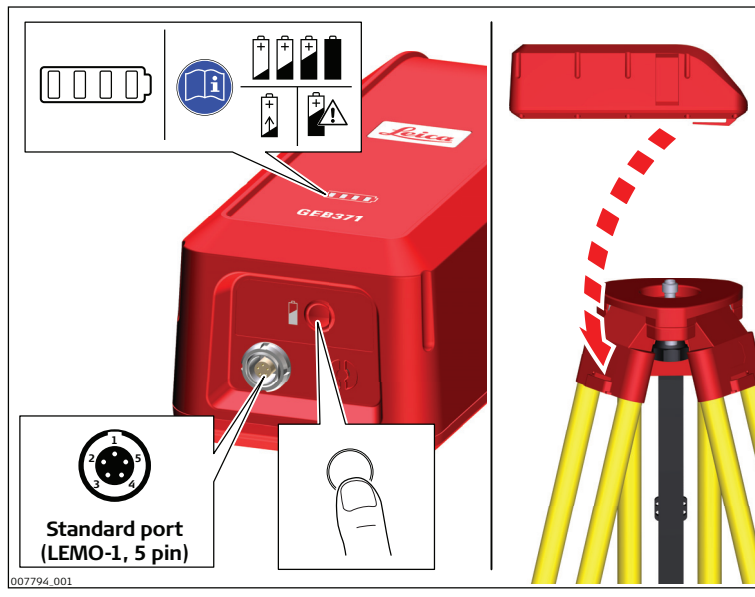
Delivery Contents and Optional Accessories



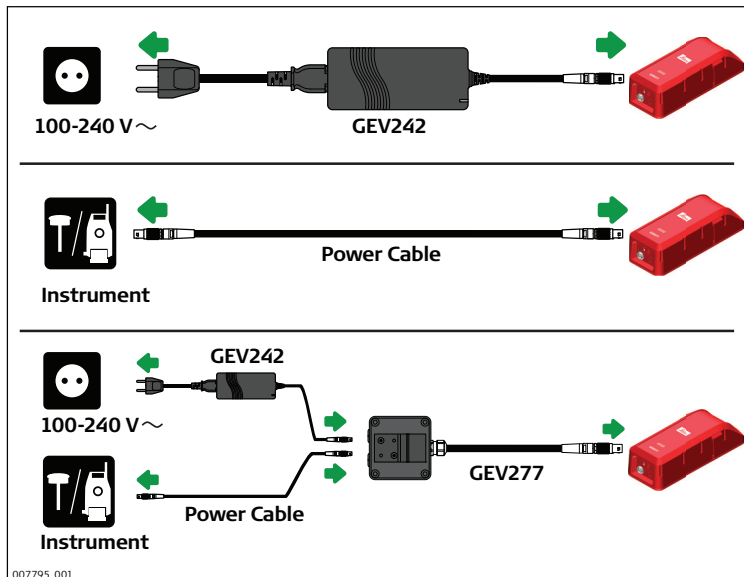
Activating the Battery before First-time Usage



Battery Components



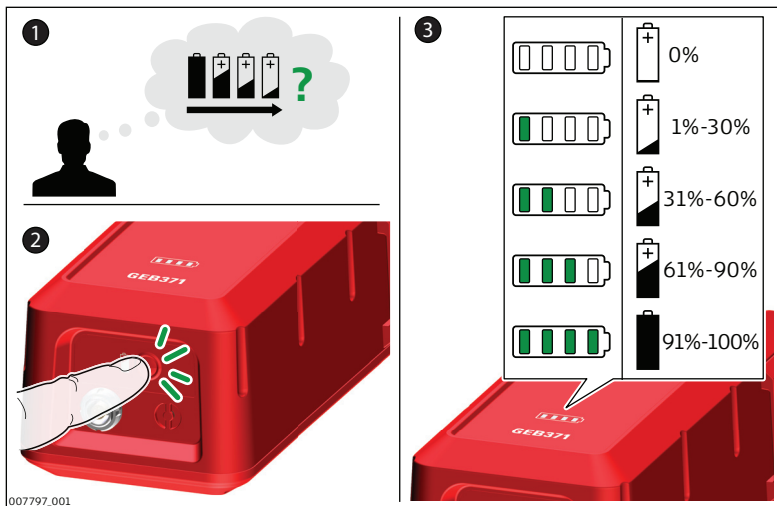
Cabling Options



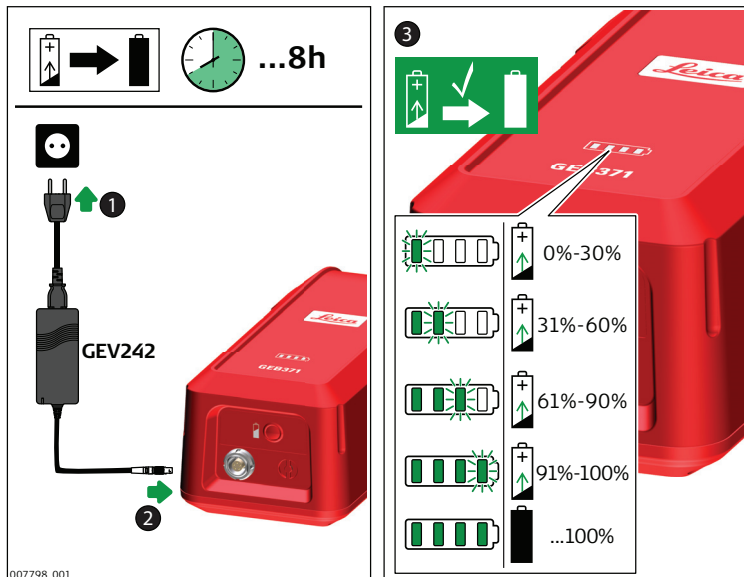
2

Operation

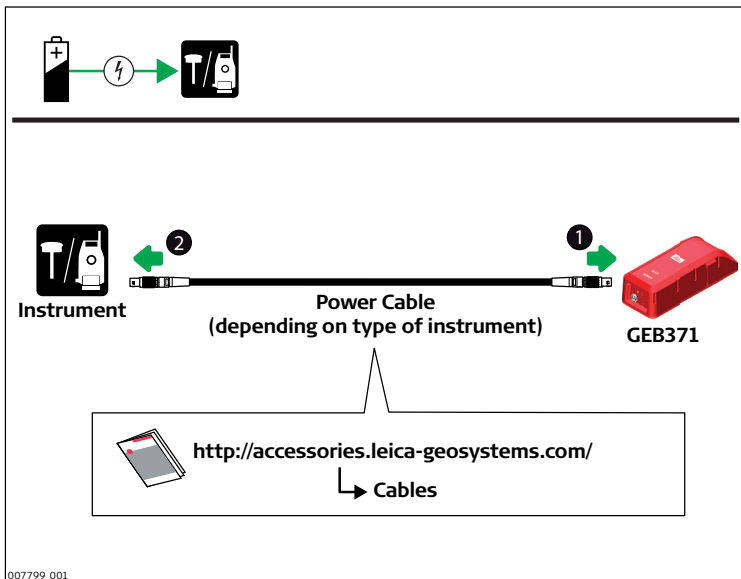
LED-Indication of Battery Level



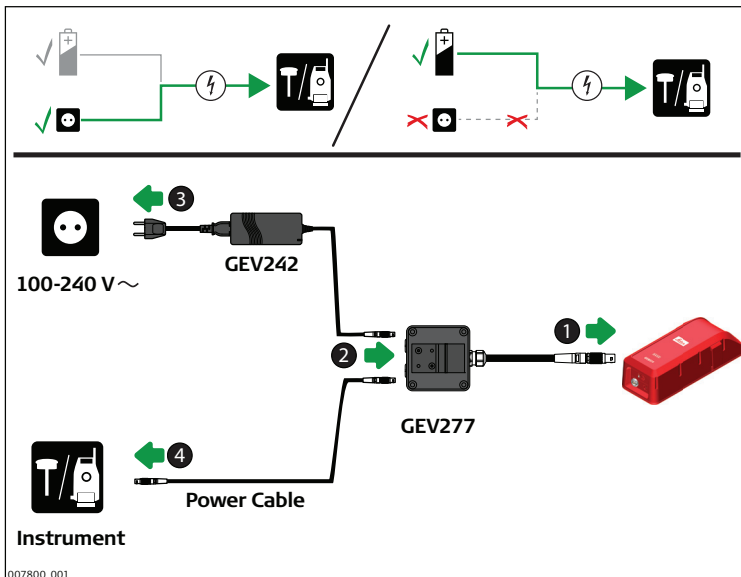
Charging the Battery



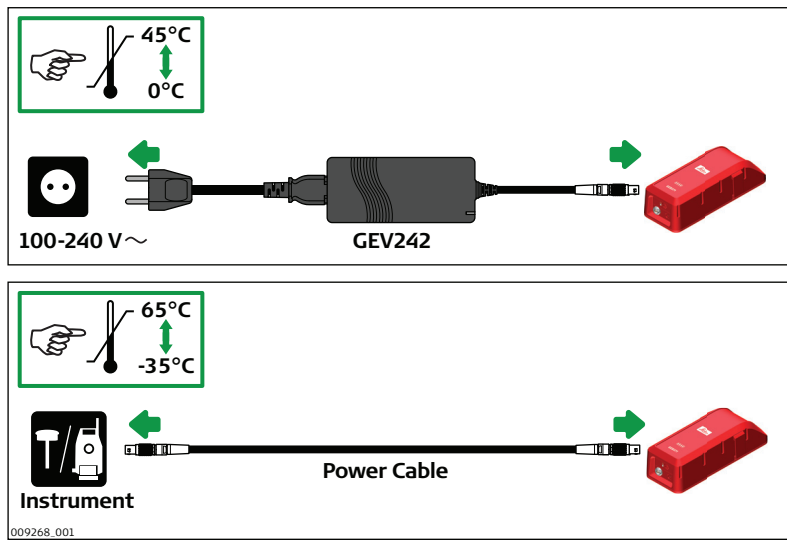
Battery Power Supply (with Power Cable)



Uninterruptible
Power Supply (with
Y-Cable, Power
Cable and GEV242)

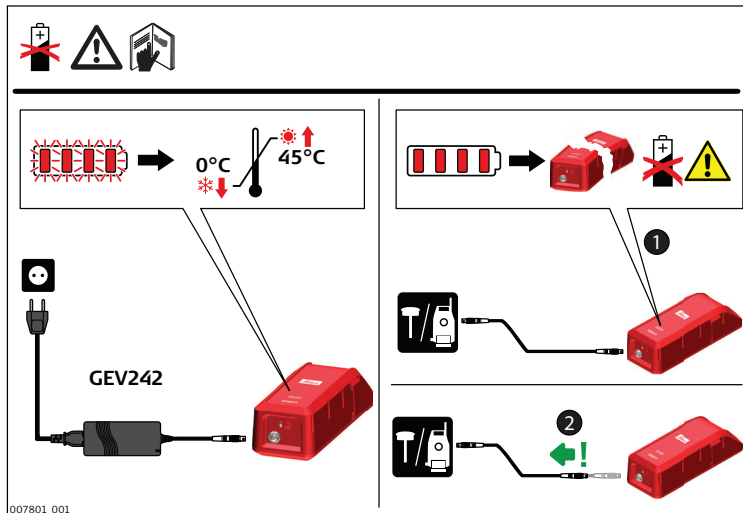


Operating Temperature



3 Troubleshooting

Error Indication



4 FCC Statement, Applicable in U.S.



WARNING

This equipment has been tested and found to comply with the limits for a Class B digital device, pursuant to part 15 of the FCC rules. These limits are designed to provide reasonable protection against harmful interference in a residential installation.

This equipment generates, uses and can radiate radio frequency energy and, if not installed and used in accordance with the instructions, may cause harmful interference to radio communications. However, there is no guarantee that interference will not occur in a particular installation.

If this equipment does cause harmful interference to radio or television reception, which can be determined by turning the equipment off and on, the user is encouraged to try to correct the interference by one or more of the following measures:

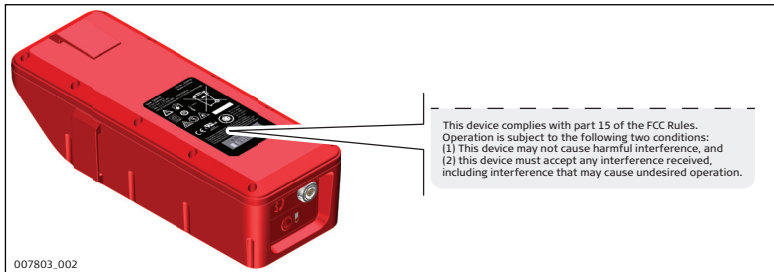
- Reorient or relocate the receiving antenna.
- Increase the separation between the equipment and the receiver.
- Connect the equipment into an outlet on a circuit different from that to which the receiver is connected.
- Consult the dealer or an experienced radio/TV technician for help.



WARNING

Changes or modifications not expressly approved by Leica Geosystems for compliance could void the user's authority to operate the equipment.

**Type Plate
Labelling GEB371**



5

Dangerous Goods Regulations

Dangerous Goods Regulations

The products of Leica Geosystems are powered by Lithium batteries.

Lithium batteries can be dangerous under certain conditions and can pose a safety hazard. In certain conditions, Lithium batteries can overheat and ignite.



When carrying or shipping your Leica product with Lithium batteries onboard a commercial aircraft, you must do so in accordance with the **IATA Dangerous Goods Regulations**.



Leica Geosystems has developed **Guidelines** on “How to carry Leica products” and “How to ship Leica products” with Lithium batteries. Before any transportation of a Leica product, we ask you to consult these guidelines on our web page (<http://www.leica-geosystems.com/dgr>) to ensure that you are in accordance with the IATA Dangerous Goods Regulations and that the Leica products can be transported correctly.



Damaged or defective batteries are prohibited from being carried or transported onboard any aircraft. Therefore, ensure that the condition of any battery is safe for transportation.

Leica Geosystems AG

Heinrich-Wild-Strasse
CH-9435 Heerbrugg
Switzerland

Phone +41 71 727 31 31

www.leica-geosystems.com

- when it has to be **right**

Leica
Geosystems

835123-1.0.0en

Original text
Printed in Switzerland
© 2015 Leica Geosystems AG, Heerbrugg, Switzerland