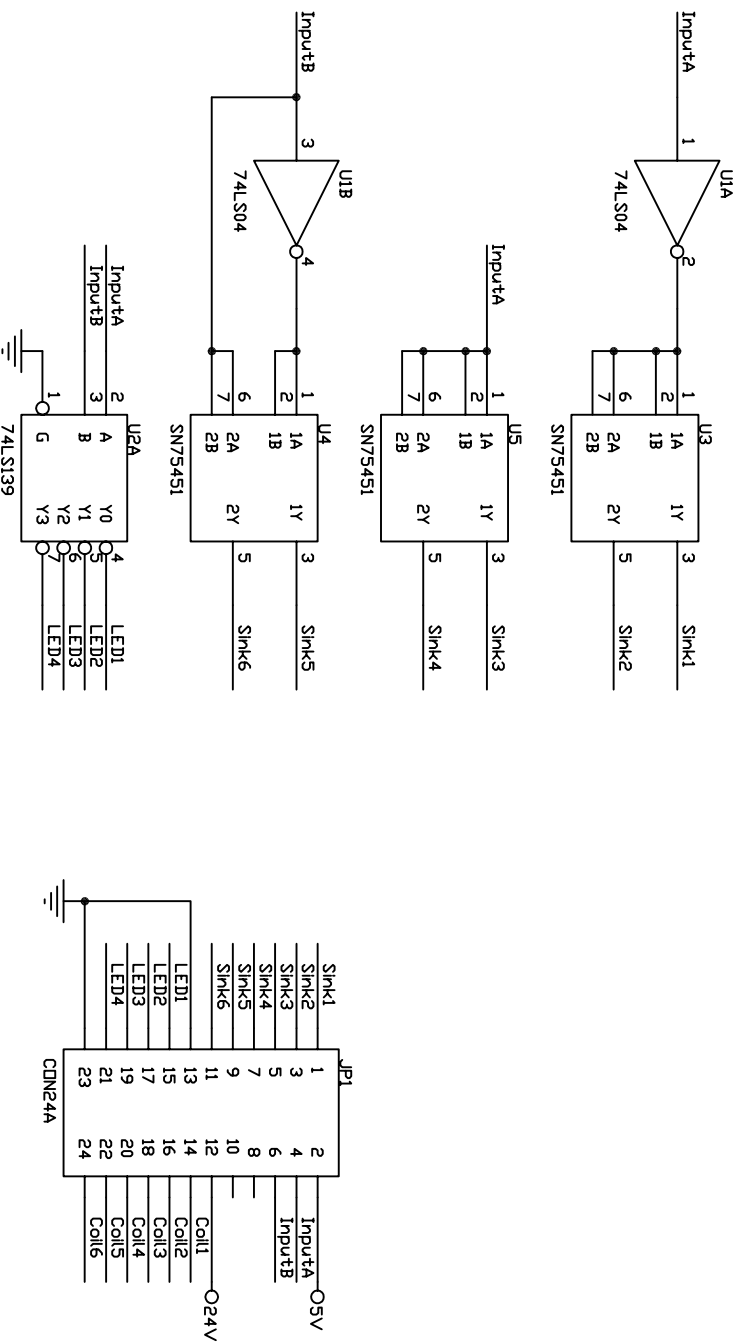
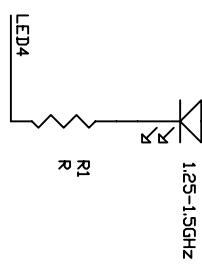
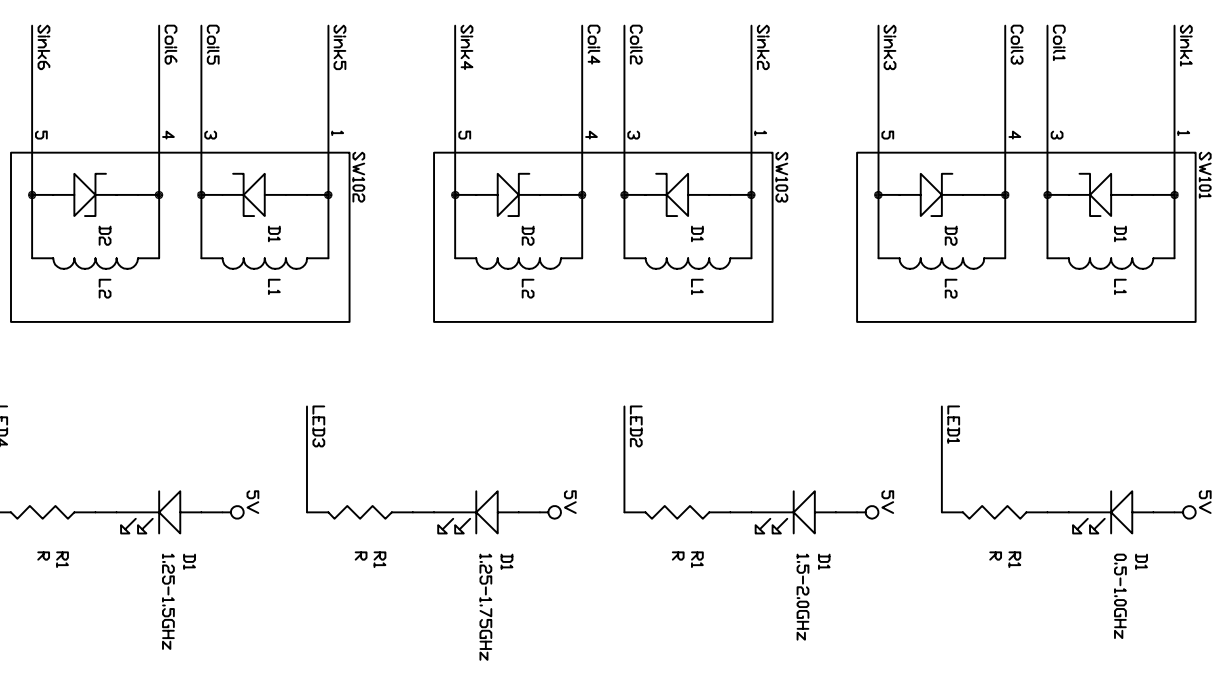
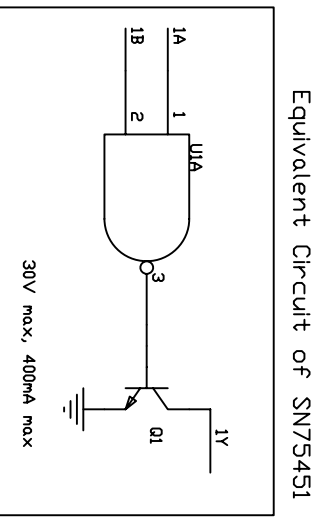
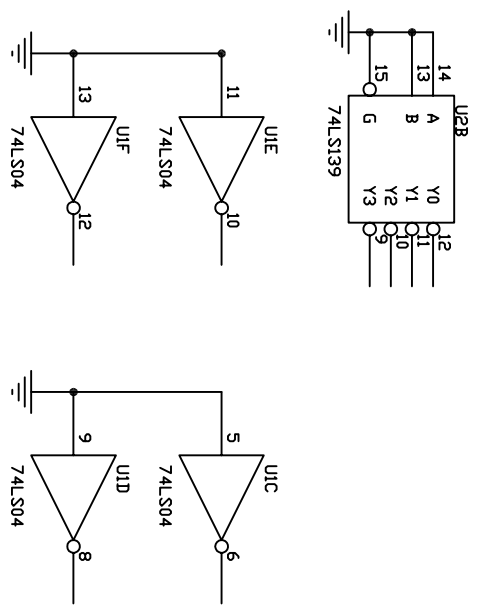
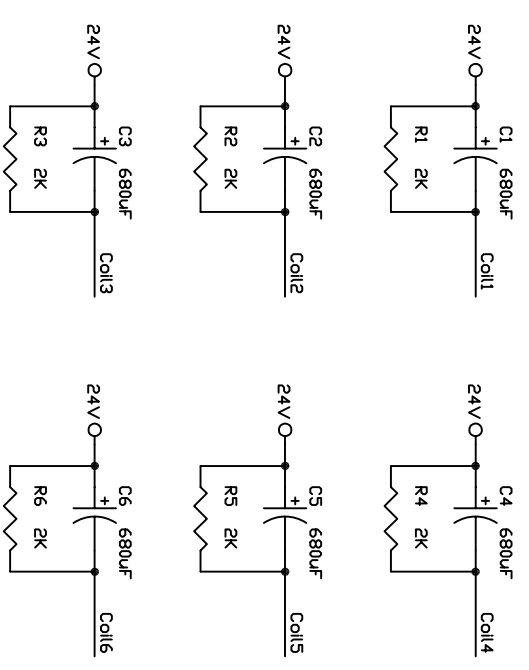


SN75451 : Pin 8 = 5V, Pin 4 = GND



B	A	Sink1	Sink2	Sink3	Sink4	Sink5	Sink6	LED	Freq.
0	0	Off	Off	On	On	Off	On	1	750MHz
0	1	On	On	Off	Off	Off	On	2	1.75GHz
1	0	Off	Off	On	On	On	Off	3	1.5GHz
1	1	On	On	Off	Off	Off	Off	4	1.25GHz



R-1325

Arecibo Observatory	
By : Bill Sisk	
File : JF2.DSN	
Title : Control Room IF and LD Signal Distribution	
Size B	Document Number
Rev 0	Switch 1 : Digital Control
Date : Friday, January 15, 1999	Sheet 1 of 1