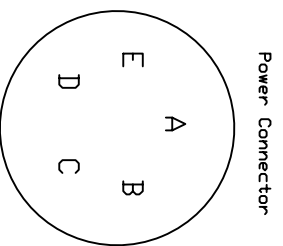
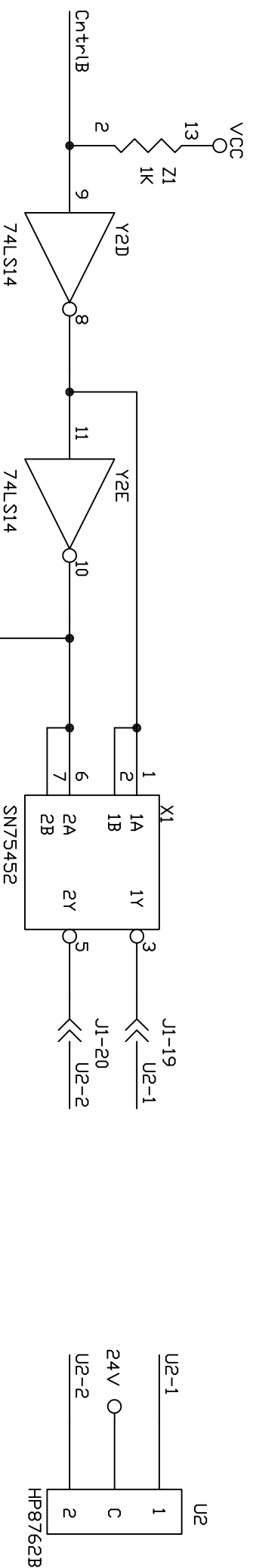
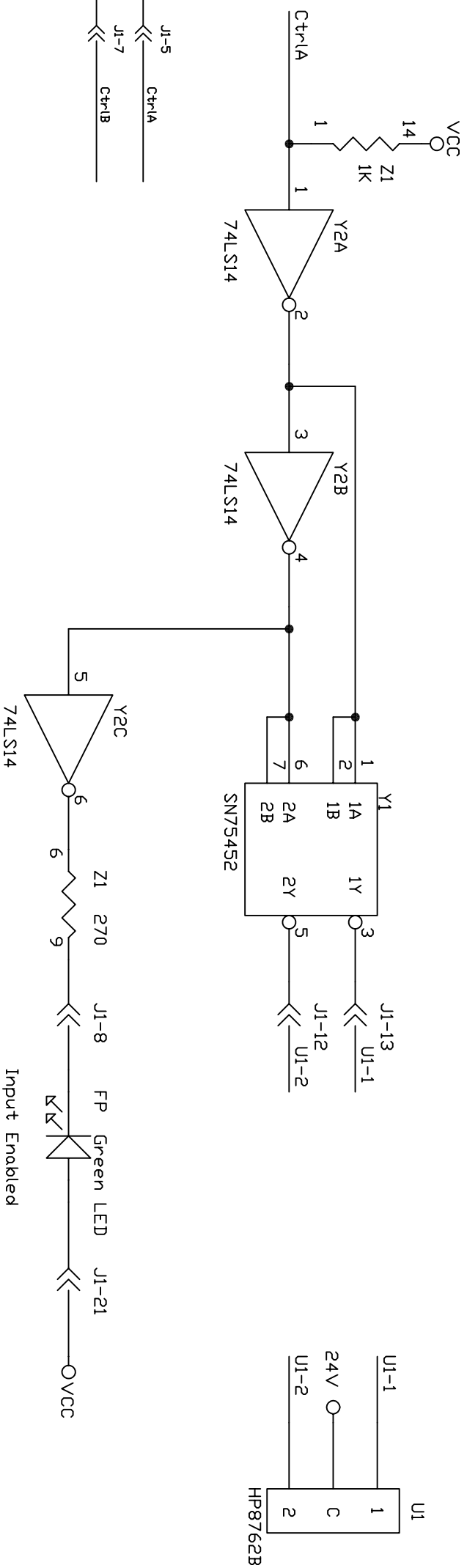
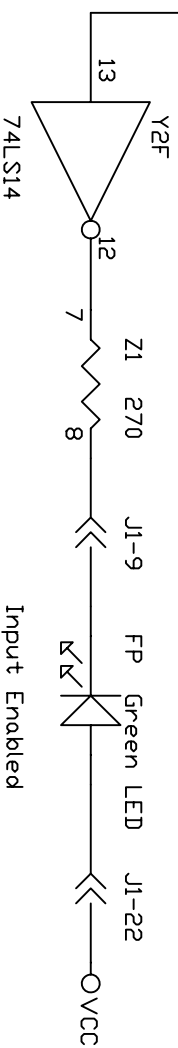
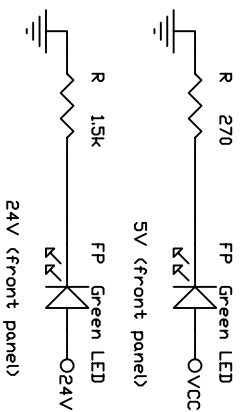


CONNECTOR DB25
Control (Rear Panel)



Amphenol 97-3102-14S-59

- A GND (black)
- B +24V (blue)
- C +15V (orange)
- D +5V (red)
- E -5V (white)



Arecibo Observatory	
By : Bill Sisk	
File : 1F2J5N	
Title Control Room IF and LD Signal Distribution	
Size B	Document Number Power Meter Relays : Digital Control
Date: Thursday, January 14, 1999	Sheet 1 of 1
	Rev 0