

11

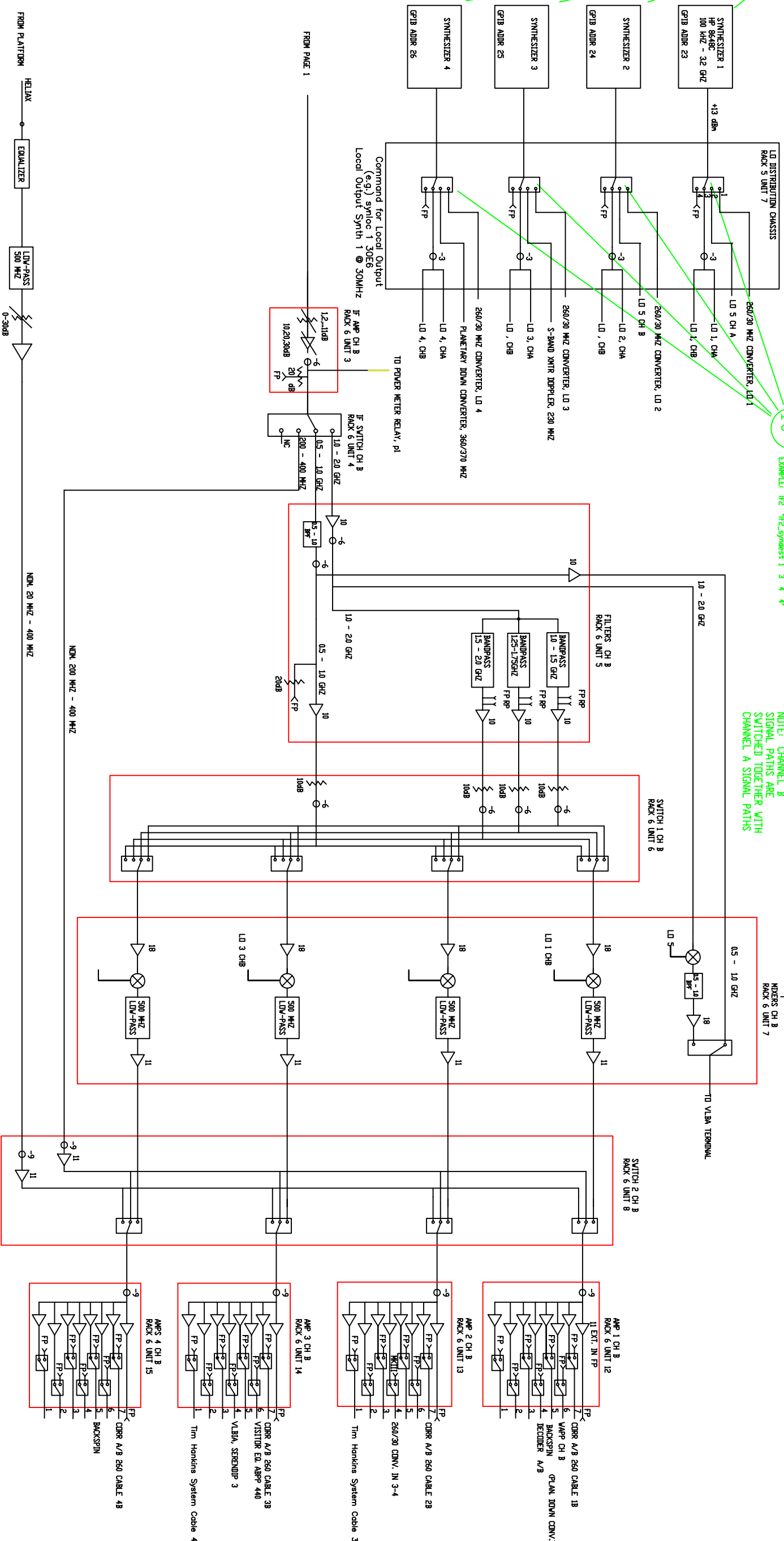
SYNTH FREQUENCIES
(4 INDEPENDENT SWITCHES)
EXAMPLE: HP2 472.5MHz @ 120000, 100000, 200000, 500000
SYNTH1 = 12004 GHz, SYNTH2 = 1 MHz, SYNTH3 = 2 MHz, SYNTH4 = 500 MHz

10

SYNTHESIZER DISTRIBUTORS
(4 INDEPENDENT SWITCHES)
EXAMPLE: HP2 472.5MHz @ 1 3 4 4'

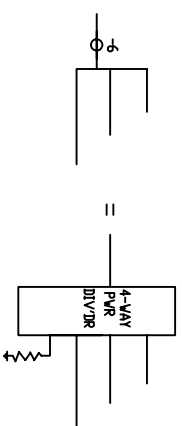
CHANNEL B

NOTE: CHANNEL B
SIGNAL PATHS ARE
SWITCHED TOGETHER WITH
CHANNEL A SIGNAL PATHS



- NOTES:
1. CIRCLES REPRESENT PWR SPLITTERS; EXAMPLE

2. 'FP' = FRONT PANEL
3. 'RP' = REAR PANEL
4. 'IF AMP IS CASCADE OF 1, 2, OR 3 100B AMPS
5. ALL 100B AMPS: COUNAR AC2546C
6. ALL 110B AMPS: COUNAR AC559C
7. ALL 180B AMPS: COUNAR AC2564C



REVISIONS				
ZONE	REV	DESCRIPTION	DATE	APPROVED
	02	Command Change for LO C	2/29/2010	

ARCEIBO OBSERVATORY

IF-LO System
Functional Block Diagram
Channel B & Synth. Dist

DRAWING: jbh 1-29-01	SIZE: B	FSCM NO.:	DWG NO.:	REV
APPROVED BY: jbh 1-29-01	SCALE: NTS	File: ifloblo2	SHEET: 2 of 3	