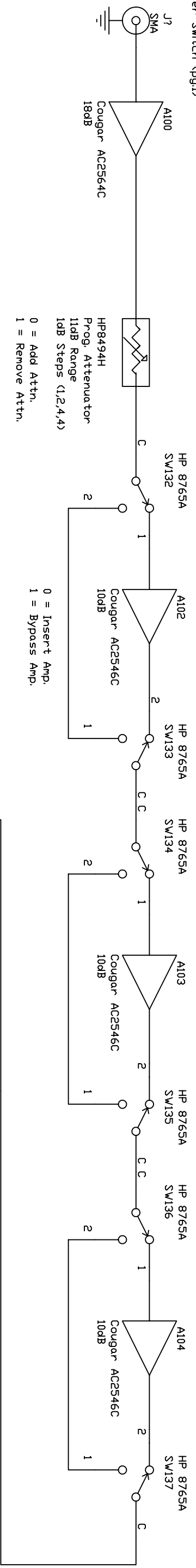


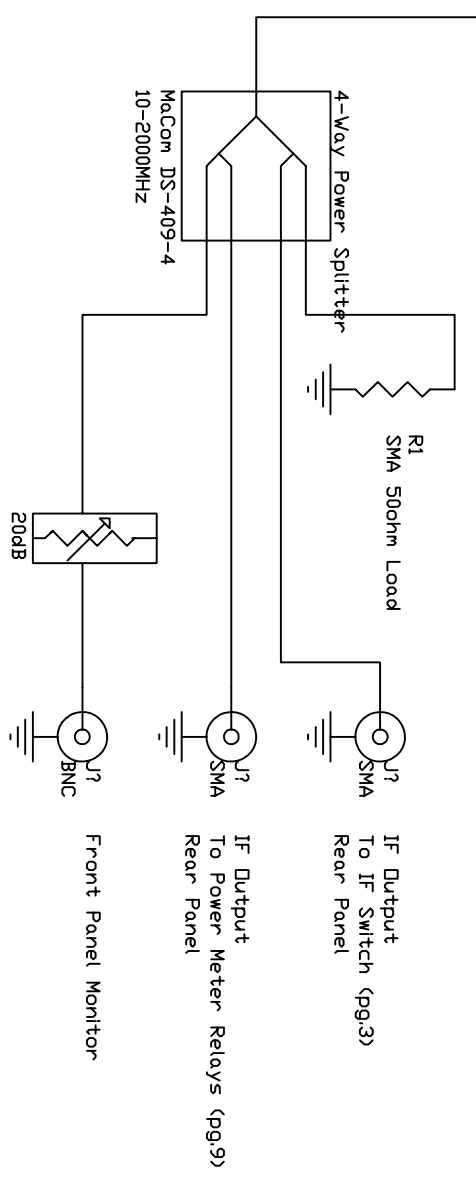
IF In
From Transfer Switch (pg.11)
Rear Panel



HP8494H
Prog. Attenuator
11dB Range
1dB Steps (1,2,4,4)

0 = Insert Amp.
1 = Bypass Amp.

Cougar AC2564C, AC2546C : 1dB Compression Is 16.5dBm



R-1322

Arevalo Observatory

By : Bill Sisk
File : IF2.DSN

Title : Control Room IF and LD Signal Distribution

Size : B
Document Number : IF Amp : RF

Date : Tuesday, January 19, 1999 Sheet 2 of 15 Rev 0