

PowerCommand[®]

Remote Annunciator Panel

(FT-10 LonWorks System Annunciator)



Description

The PowerCommand Network Annunciator is a network component that provides remote system status indication for emergency and other power systems in compliance to the requirements of NFPA 110. The Network Annunciator may also be used for remote indication of any condition that is monitored by a PowerCommand network.

The Network Annunciator reduces installation costs and improves design flexibility by use of a PowerCommand Network to transmit all the genset and transfer switch system signals rather than using relay contacts for this purpose.

Control power for PowerCommand network products is usually derived from the generator set starting batteries. The control functions over a voltage range from 8VDC to 35VDC.

Features

- Visual Indication of 20 Network Conditions and Network Status.
- Audible Indication of Any Network Condition. Annunciator also includes pushbutton switch to silence the audible alarm. Alarm horn sound level is approximately 90dBA at 30 cm.
- Standard NFPA110 Label, field configurable for other alarm and status conditions.
- Configurable for compliance to NFPA99 requirements.
- Sealed Membrane Panel Design provides environmental protection for internal components and is easy to clean.
- Warranty. PowerCommand Controls are supported by a worldwide network of independent distributors who provide parts, service and warranty support.
- UL Listed and Labeled; CSA certified; CE Marked.
- Wall Mount NEMA 1 Enclosure or Flush Mount configurations available

Specifications

Signal Requirements

Network Connections: Echelon® LONWORKS®, twisted-pair 78 kbps, FT-10
Control Power: 8-30VDC, 3.5W (maximum) 0.8W typical.

Wiring materials for network signals are UL-listed 4 twisted pair wiring. Terminations for control power accept wire up to 16ga.

Environment

The annunciator is designed for proper operation in ambient temperatures from -40C to +70C, and for storage from -40C to +80C. Control will operate with humidity up to 95%, non-condensing, and at altitudes up to 13,000 feet (5000 meters).

Alarm Horn

Sound Level: 90 dB @ 30cm.

Physical

Weight: 3.2 lbs. (1.45 kg) (board plus enclosure)

Power

Maximum Consumption: 5 watts

Standby Consumption: 0.4 watt or less

Network Length: Maximum 4600 Feet (1400M), when using NEMA Level 4 cable.

Self-binding Configurations:

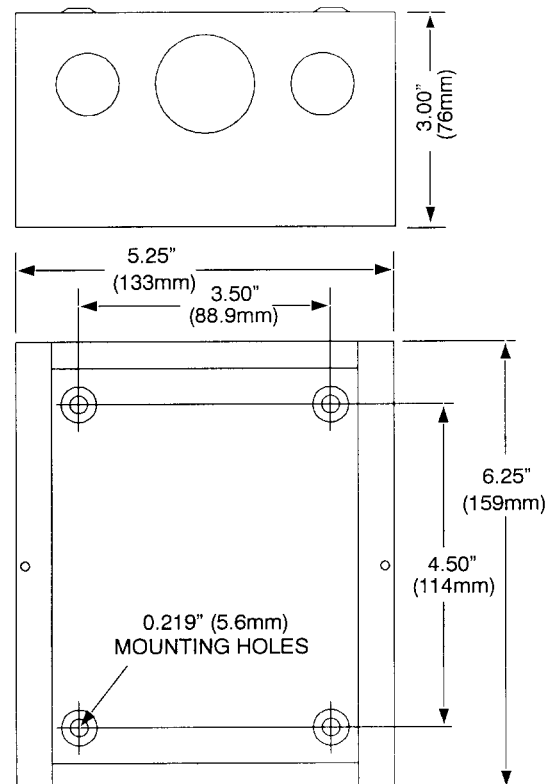
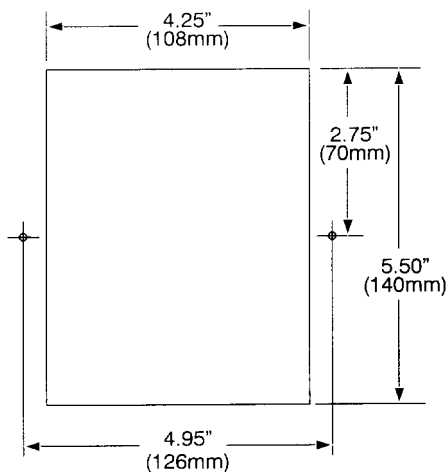
Supports use of up to four annunciators with up to one generator set and one transfer switch.

Maximum Wire Lengths (Control Power-self-binding system)

Wire Size	12VDC	24VDC
22 ga	330ft. (100M)	1100 ft. (338M)
20 ga	520 ft. (158M)	1760 ft. (537M)
18 ga	820 ft. (250M)	2790 Ft. (852M)
16 ga	1300 ft. (398M)	4430 Ft. (1352M)
14 ga	2070 ft. (631M)	4600 Ft. (1400M)

Dimensions

Cut-Out Detail (without enclosure)



Label Configurations & Standard Bindings

NFPA110 GenSet Alarm and Status Annunciator

The following conditions are provided as standard on the annunciator:

- High Battery Voltage (A)
- Low Battery Voltage (A)
- Generator Running (G)
- Genset Supplying Load (G)
- Pre-Low Oil Pressure (A)
- Low Oil Pressure (R)
- Pre-High Coolant Temperature (A)
- High Coolant Temperature (R)
- Low Engine Temperature (A)
- Overspeed (R)
- Fail to Start (overcrank) (R)
- Not in Auto (R)
- Battery Charger Malfunction (A)
- Low Fuel (A)
- Low Coolant Level (R)
- Spare (4) (G)
- Common Alarm

(A) = Amber; (R) = Red; (G) = Green

Extended GenSet Alarm and Status Annunciator

The following conditions are provided as standard on the annunciator:

- Check Genset (R)
- Ground Fault (A)
- High AC Voltage (R)
- Low AC Voltage (R)
- Under Frequency (R)
- Overload (R)
- Over current (R)
- Short circuit (R)
- Reverse KW (R)
- Reverse kVAR (R)
- Fail to Sync (A)
- Fail to Close (R)
- Load Demand (G)
- Genset CB tripped (R)
- Utility CB tripped (R)
- Emergency Stop (R)
- Spare (4) (G)

(A) = Amber; (R) = Red; (G) = Green

8-Point (Genset)

The following conditions are provided as standard on the annunciator:

- Check Genset (A)
- Genset Supplying Load (A)
- Genset Running (G)
- Not in Auto (G)
- High/Low Engine Temp (G)
- Low Oil Pressure (A)
- Low Coolant Level (R)
- Low Fuel Level (A)
- Spare (8) (G)

(A) = Amber; (R) = Red; (G) = Green

4-Point (Genset)

The following conditions are provided as standard on the annunciator:

- Check Genset (A)
- Genset Supplying Load (A)
- Genset Running (G)
- Not in Auto (G)
- Spare (16) (G)

(A) = Amber; (R) = Red; (G) = Green

ATS-Extended

This annunciation set is often used with PLT-series equipment. The following conditions are provided as standard on the annunciator:

- Source 1 Available (G)
- Source 2 Available (G)
- Source 1 Connected (G)
- Source 2 Connected (G)
- Check ATS (R)
- ATS Not in Auto
- Test/Exercise
- Transfer Pending
- Load Shed
- Transfer Inhibit
- Fail to Close
- Fail to Disconnect
- Fail to Synchronize
- Low Battery-Controller
- Low Battery-Network

(A) = Amber; (R) = Red; (G) = Green

ATS 8-Point

The following conditions are provided as standard on the annunciator:

- Source 1 Available (G)
- Source 2 Available (G)
- Source 1 Connected (G)
- Source 2 Connected (G)
- Common Alarm (A)
- Not in Auto (R)
- Test/Exercise Mode (A)
- Low Control Battery (A)
- Spare (8) (G)

(A) = Amber; (R) = Red; (G) = Green

ATS 4-Point

The following conditions are provided as standard on the annunciator:

- Source 1 Available (G)
- Source 2 Available (G)
- Source 2 Connected (G)
- Source 1 Connected (G)

(A) = Amber; (R) = Red; (G) = Green

Custom Alarm Configuration

#	Color (R/A/G)	Label	Horn (Y/N)	#	Color (R/Y/G)	Label	Horn (Y/N)
1				11			
2				12			
3				13			
4				14			
5				15			
6				16			
7				17			
8				18			
9				19			
10				20			

Ordering Information

Part Number	Description
0541-0814-01	Network annunciator, open construction, for panel mounting.
0541-0814-02	Network annunciator including control box for surface wall mounting

See your distributor for more information



Cummins Power Generation
 1400 73rd Avenue N.E.
 Minneapolis, MN 55432
 763.574.5000
 Fax: 763.574.5298
www.cumminspower.com

Cummins Power Generation is a subsidiary of Cummins Inc.
 PowerCommand is a registered trademark of Cummins Inc.
 Echelon and LONWORKS are registered trademarks of Echelon.

⚠ WARNING *For Professional Use Only. Must be installed by a qualified service technician. Improper installation presents hazards of electrical shock and improper operation, resulting in severe personal injury and/or property damage.*