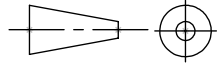
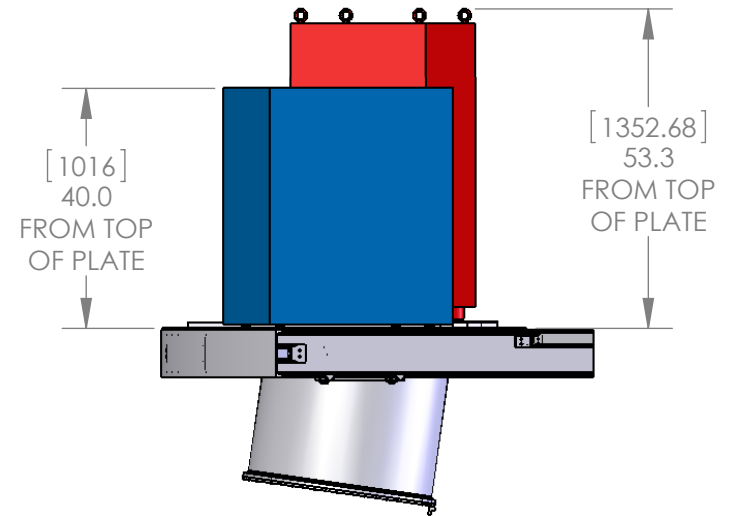
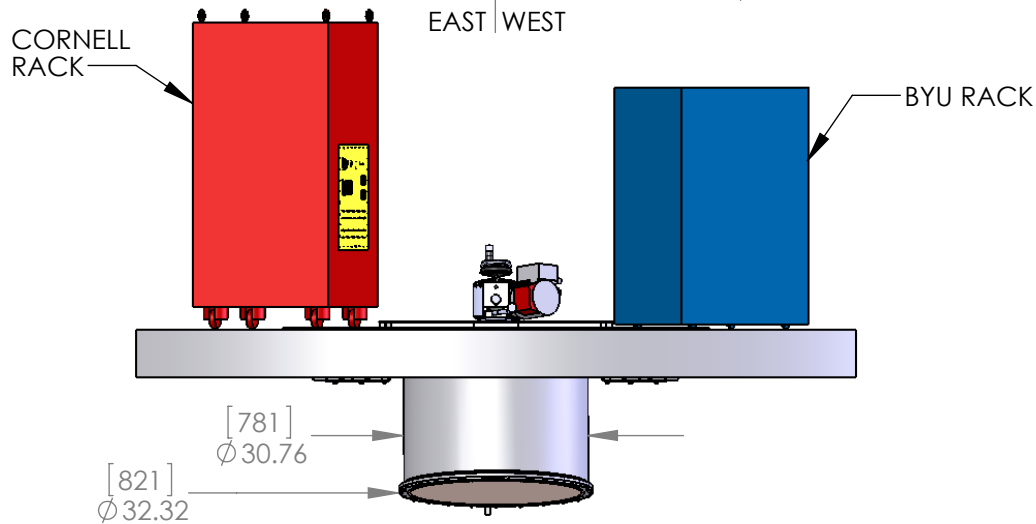
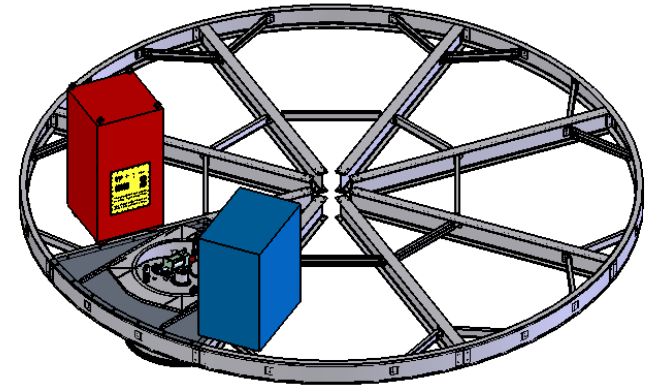
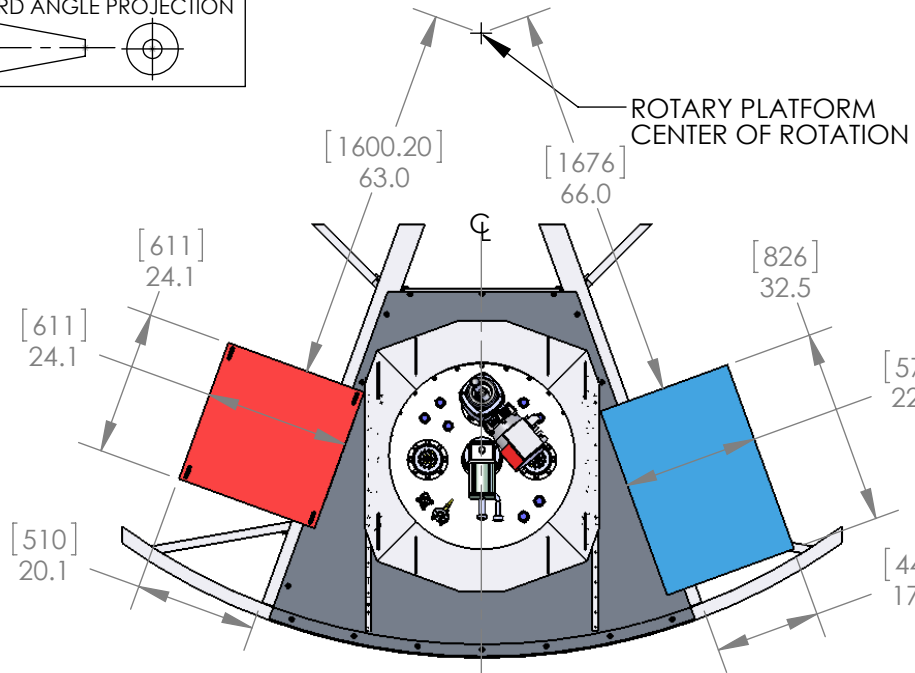


THIRD ANGLE PROJECTION



REVISIONS

ZONE	REV.	DESCRIPTION	DATE	APPROVED
	A	INITIAL RELEASE.	4/10/2013	SCP
	B	ADDED PAGE 2.	6/10/2013	SCP
	C	ADDED PAGE 3.	6/27/2013	SCP



GENERAL NOTES

1. DIMENSIONS IN [ ] ARE IN MILLIMETERS

CORNELL UNIVERSITY CENTER FOR RADIOPHYSICS AND SPACE RESEARCH  
 SPACE SCIENCES BUILDING,  
 ITHACA NY, 14853  
 PHONE: 607.255.4806  
 FAX: 607.255.5785  
 EMAIL: scp8@cornell.edu

PROPRIETARY AND CONFIDENTIAL  
 THE INFORMATION CONTAINED IN THIS DRAWING IS THE SOLE PROPERTY OF THE CORNELL CRSR. ANY REPRODUCTION IN PART OR AS A WHOLE WITHOUT THE WRITTEN PERMISSION OF THE CORNELL CRSR IS PROHIBITED.

DIMENSIONS ARE IN INCHES TOLERANCES (UNLESS NOTED):

FRACTIONAL ±1/16  
 ANGULAR: X.X±0.2° X±0.5°  
 X. ±0.1  
 X.X ±0.05  
 X.XX ±0.01  
 X.XXX ±0.005

SURFACE	63
MATERIAL	NA
FINISH	NA
MFG	ASSEMBLED
DO NOT SCALE DRAWING	

	NAME	DATE
MODELED	SCP	10/15/2012
DRAWING	SCP	6/27/2013
CHECKED		
PROJECT: AO-19 Cryo PAF		
CHARGE #: U25-8655-F8655		
COMMENTS:		

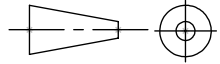
CORNELL UNIVERSITY CRSR

AO-19PAF

SYSTEM LAYOUT

SIZE	DWG. NO.	REV.
A	AO19-HE-00A	C
SCALE: 1:32	Mass:	lbs
SHEET 1 OF 3		

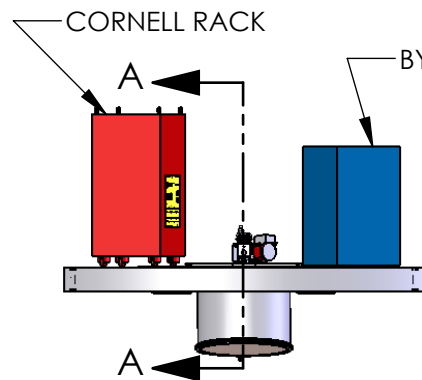
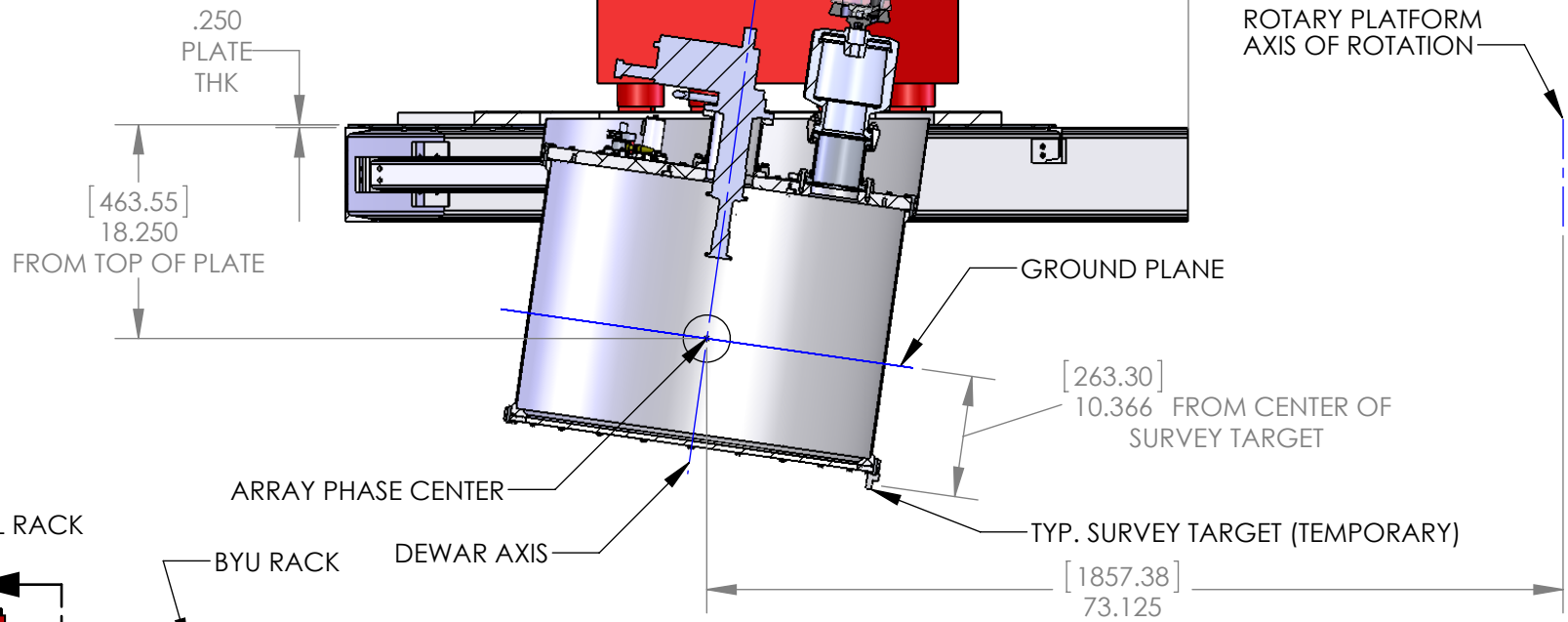
THIRD ANGLE PROJECTION



GENERAL NOTES

1. DIMENSIONS IN [ ] ARE IN MILLIMETERS
2. CRYOSTAT AT NOMINAL POSITION IN MOUNT.  $\pm 1''$  VERTICAL &  $\pm 3''$  RADIAL ADJUSTMENT POSSIBLE FOR FOCUS.

SECTION A-A  
SCALE 1:16



**CORNELL UNIVERSITY CENTER FOR RADIOPHYSICS AND SPACE RESEARCH**  
 SPACE SCIENCES BUILDING,  
 ITHACA NY, 14853  
 PHONE: 607.255.4806  
 FAX: 607.255.5785  
 EMAIL: scp8@cornell.edu

**PROPRIETARY AND CONFIDENTIAL**  
 THE INFORMATION CONTAINED IN THIS DRAWING IS THE SOLE PROPERTY OF THE CORNELL CRSR. ANY REPRODUCTION IN PART OR AS A WHOLE WITHOUT THE WRITTEN PERMISSION OF THE CORNELL CRSR IS PROHIBITED.

**DIMENSIONS ARE IN INCHES TOLERANCES (UNLESS NOTED):**

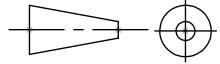
FRACTIONAL  $\pm 1/16$   
 ANGULAR: X.X  $\pm 0.2^\circ$  X  $\pm 0.5^\circ$   
 X.  $\pm 0.1$   
 X.X  $\pm 0.05$   
 X.XX  $\pm 0.01$   
 X.XXX  $\pm 0.005$

SURFACE	63
MATERIAL	NA
FINISH	NA
MFG	ASSEMBLED
DO NOT SCALE DRAWING	

NAME	DATE
MODELED	SCP 10/15/2012
DRAWING	SCP 6/27/2013
CHECKED	
PROJECT:	AO-19 Cryo PAF
CHARGE #:	U25-8655-F8655
COMMENTS:	

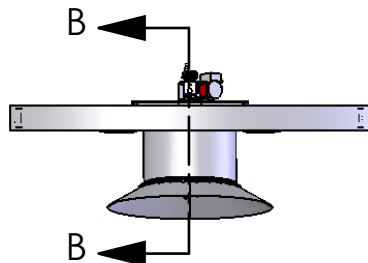
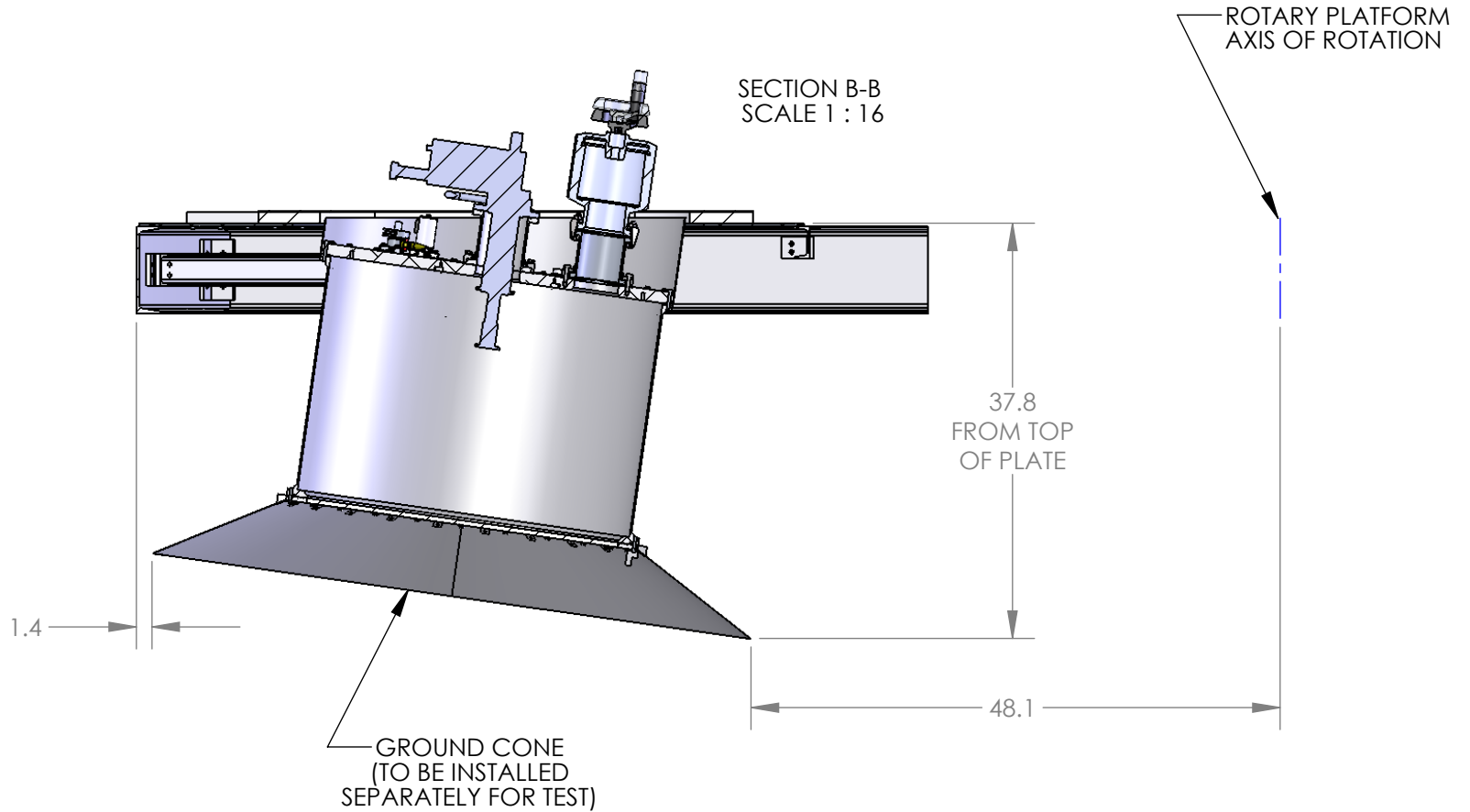
<b>CORNELL UNIVERSITY CRSR</b>		
<b>AO-19PAF</b>		
<b>SYSTEM LAYOUT</b>		
SIZE	DWG. NO.	REV.
<b>A</b>	<b>AO19-HE-00A</b>	<b>C</b>
SCALE: 1:64	Mass: lbs	SHEET 2 OF 3

THIRD ANGLE PROJECTION



GENERAL NOTES

1. DIMENSIONS IN [ ] ARE IN MILLIMETERS
2. CRYOSTAT AT NOMINAL POSITION IN MOUNT.  $\pm 1$ " VERTICAL &  $\pm 3$ " RADIAL ADJUSTMENT POSSIBLE FOR FOCUS.



**CORNELL UNIVERSITY CENTER FOR RADIOPHYSICS AND SPACE RESEARCH**  
 SPACE SCIENCES BUILDING,  
 ITHACA NY, 14853  
 PHONE: 607.255.4806  
 FAX: 607.255.5785  
 EMAIL: scp8@cornell.edu

**PROPRIETARY AND CONFIDENTIAL**  
 THE INFORMATION CONTAINED IN THIS DRAWING IS THE SOLE PROPERTY OF THE CORNELL CSR. ANY REPRODUCTION IN PART OR AS A WHOLE WITHOUT THE WRITTEN PERMISSION OF THE CORNELL CSR IS PROHIBITED.

*DIMENSIONS ARE IN INCHES TOLERANCES (UNLESS NOTED):*

FRACTIONAL  $\pm 1/16$   
 ANGULAR:  $X.X \pm 0.2^\circ$   $X \pm 0.5^\circ$   
 X.  $\pm 0.1$   
 X.X  $\pm 0.05$   
 X.XX  $\pm 0.01$   
 X.XXX  $\pm 0.005$

SURFACE

MATERIAL	NA
FINISH	NA
MFG	ASSEMBLED
DO NOT SCALE DRAWING	

	NAME	DATE
MODELED	SCP	10/15/2012
DRAWING	SCP	6/27/2013
CHECKED		
PROJECT:	AO-19 Cryo PAF	
CHARGE #:	U25-8655-F8655	

COMMENTS:

**CORNELL UNIVERSITY CSR**

**AO-19PAF  
 SYSTEM LAYOUT**

SIZE	DWG. NO.	REV.
<b>A</b>	<b>AO19-HE-00A</b>	<b>C</b>
SCALE: 1:64	Mass: lbs	SHEET 3 OF 3