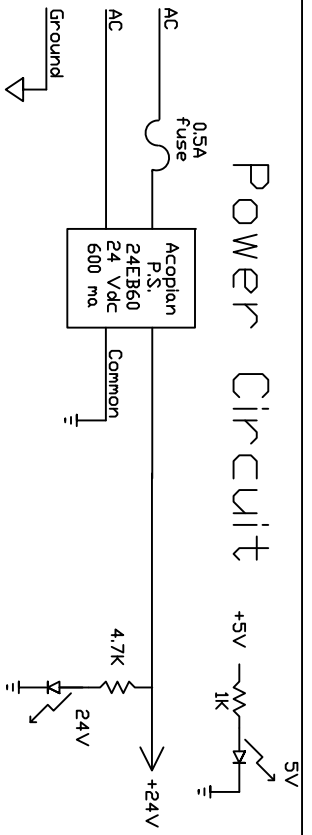
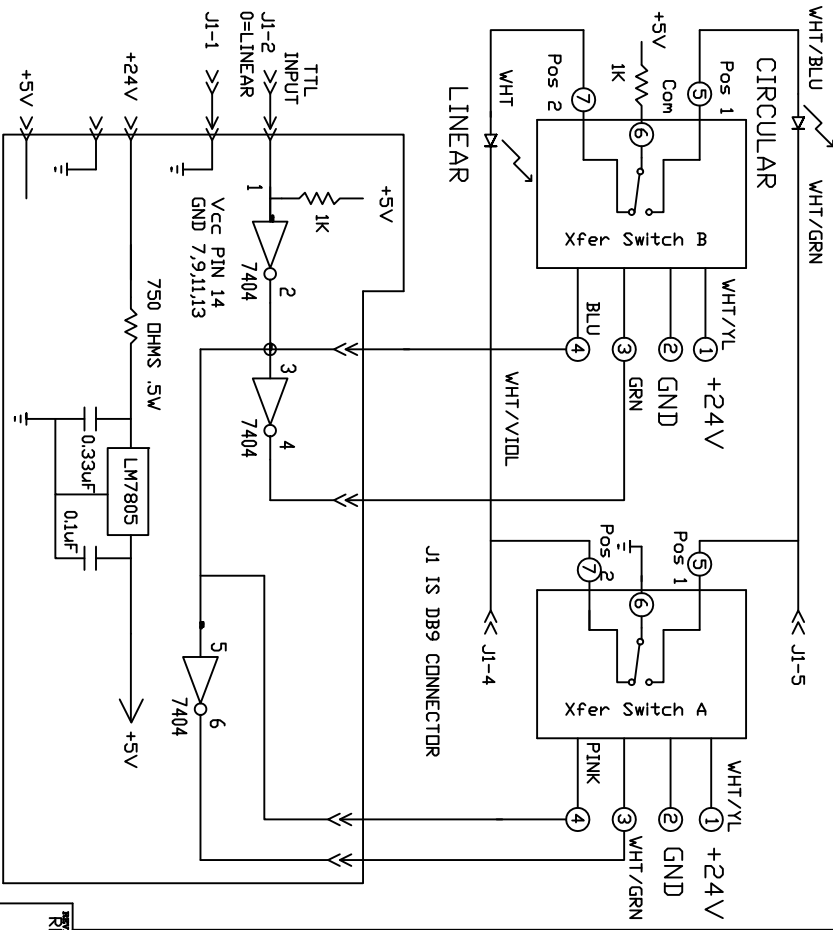


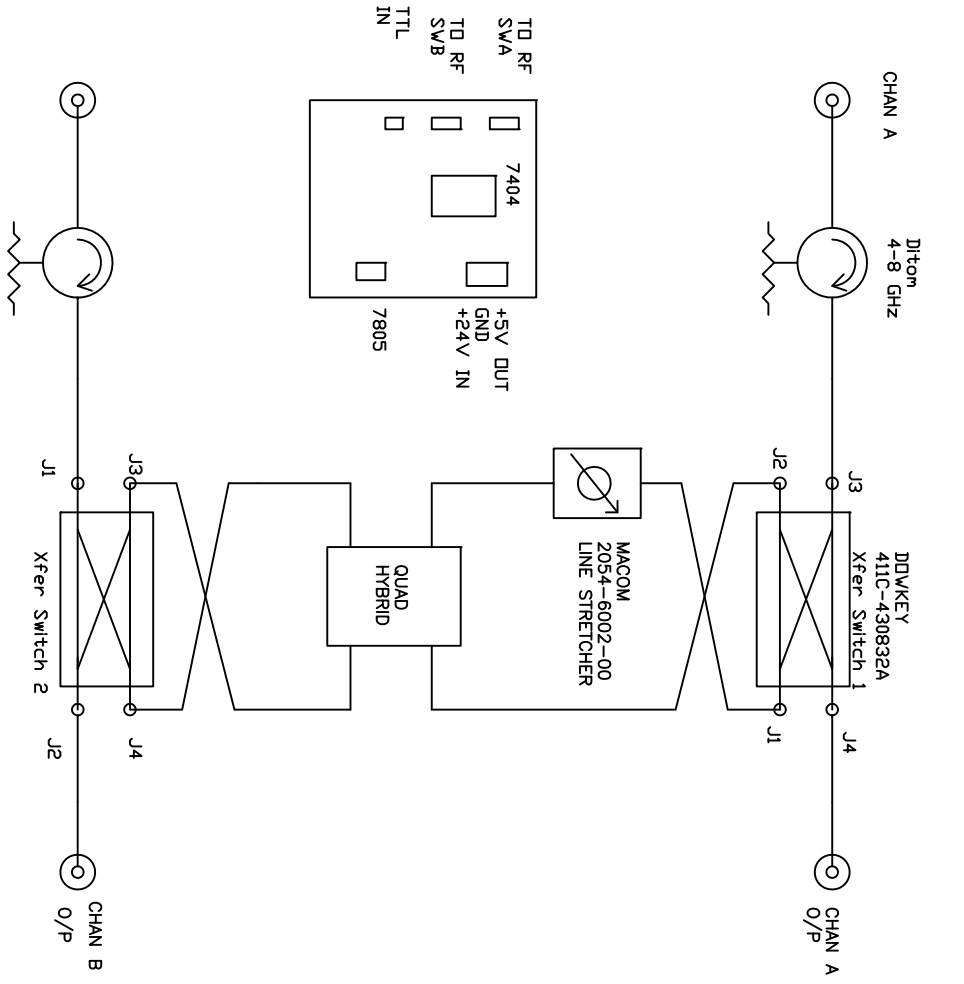
# Power Circuit



# Switch and Indicator Circuitry



# RF Diagram



REV 1	8 NOV 04 JR	DATE	JULY 14 2004	APPROV.	L. Wray	BY	L. Wray
				ARECIBO OBSERVATORY CORNELIUS UNIVERSITY		RESULTS R-1240	
				CB Polarization Box		DRAWING	